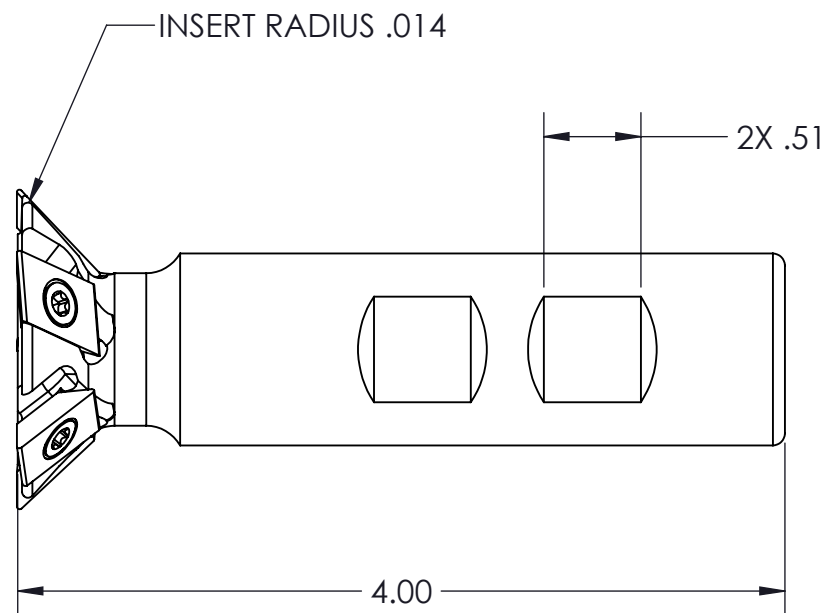
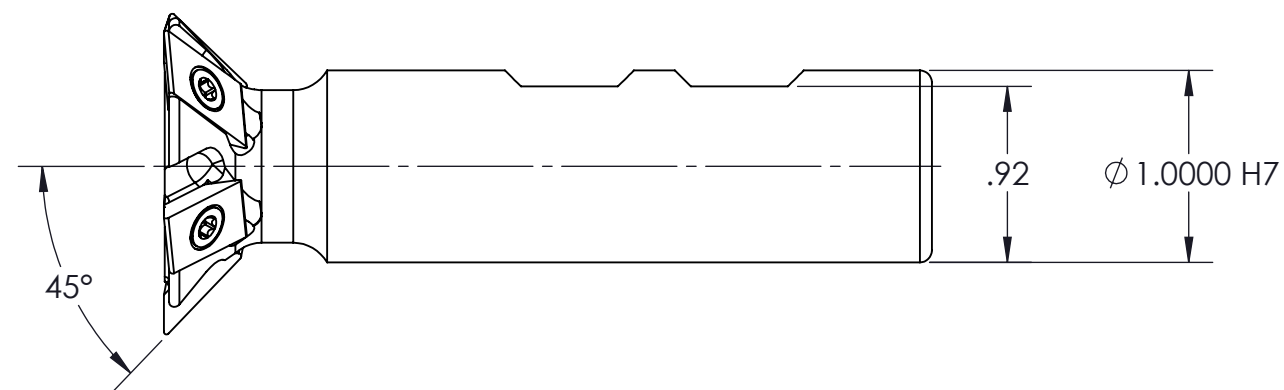
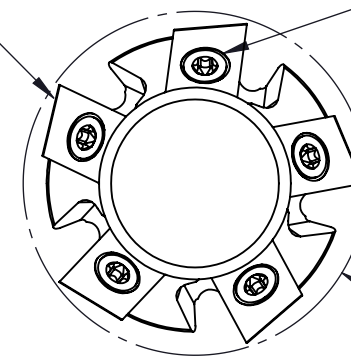


DC1750-45



5X DC1750-B



INCH <small>DRAWN IN ACCORDANCE WITH ASME Y14.5-2009</small> PROPRIETARY AND CONFIDENTIAL <small>THE INFORMATION CONTAINED IN THIS DRAWING IS THE SOLE PROPERTY OF FIFTH AXIS, INC. ANY REPRODUCTION IN PART OR AS A WHOLE WITHOUT THE WRITTEN PERMISSION OF FIFTH AXIS, INC. IS PROHIBITED.</small>	TOLERANCES <small>UNLESS OTHERWISE SPECIFIED</small> X ± 0.1 .XX ± 0.01 .X ± 0.05 .XXX ± 0.005 ANGULAR ± 0.5°		 <small>WWW.FIFTHAXIS.COM</small> <small>7140 ENGINEER ROAD</small> <small>SAN DIEGO, CA 92111</small> <small>P (858) 505-0432 F (858) 505-9344</small>
	<small>THIRD ANGLE PROJECTION</small> 		
<small>DESCRIPTION</small> 45° DOVETAIL CUTTER			<small>SIZE</small> B <small>PART NO.</small> DC1750-45 <small>REV</small> A
<small>DO NOT SCALE DRAWING</small> <small>SCALE 1:1</small> <small>WEIGHT: 0.8510 LBS</small> <small>SHEET 1 OF 1</small>			