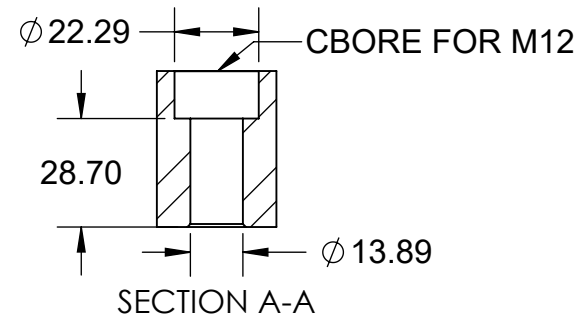
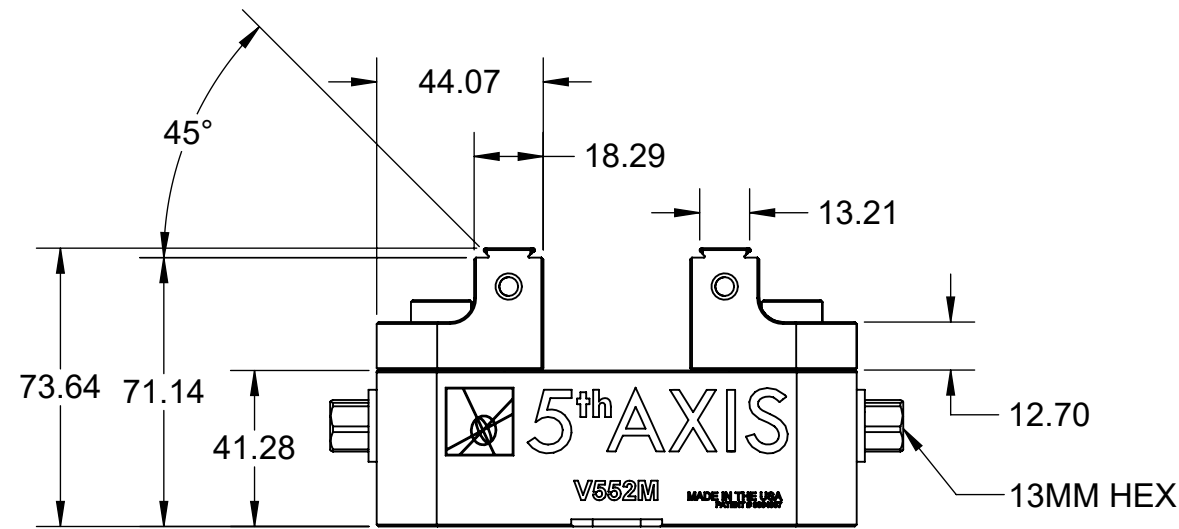
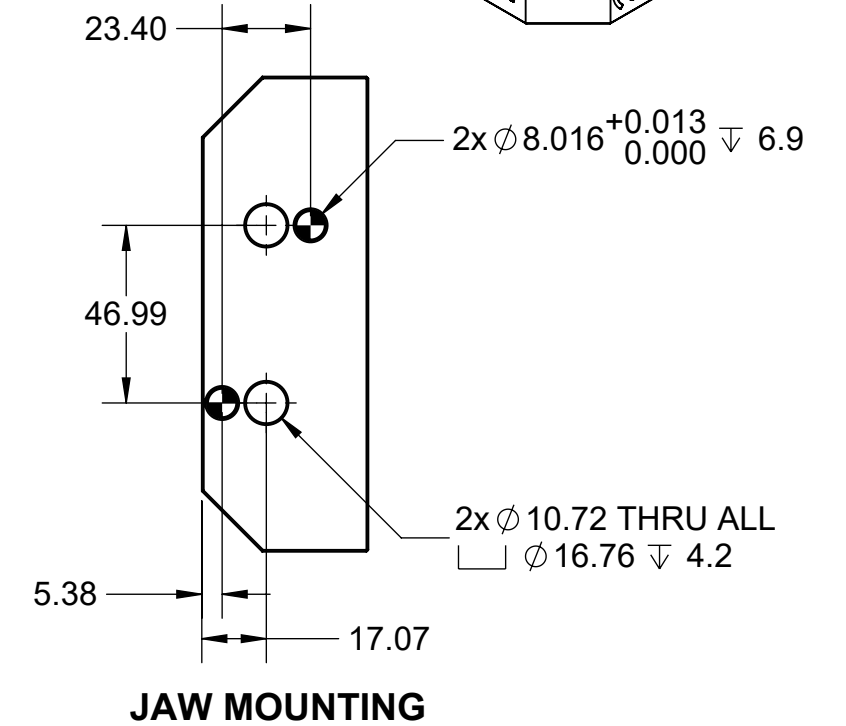
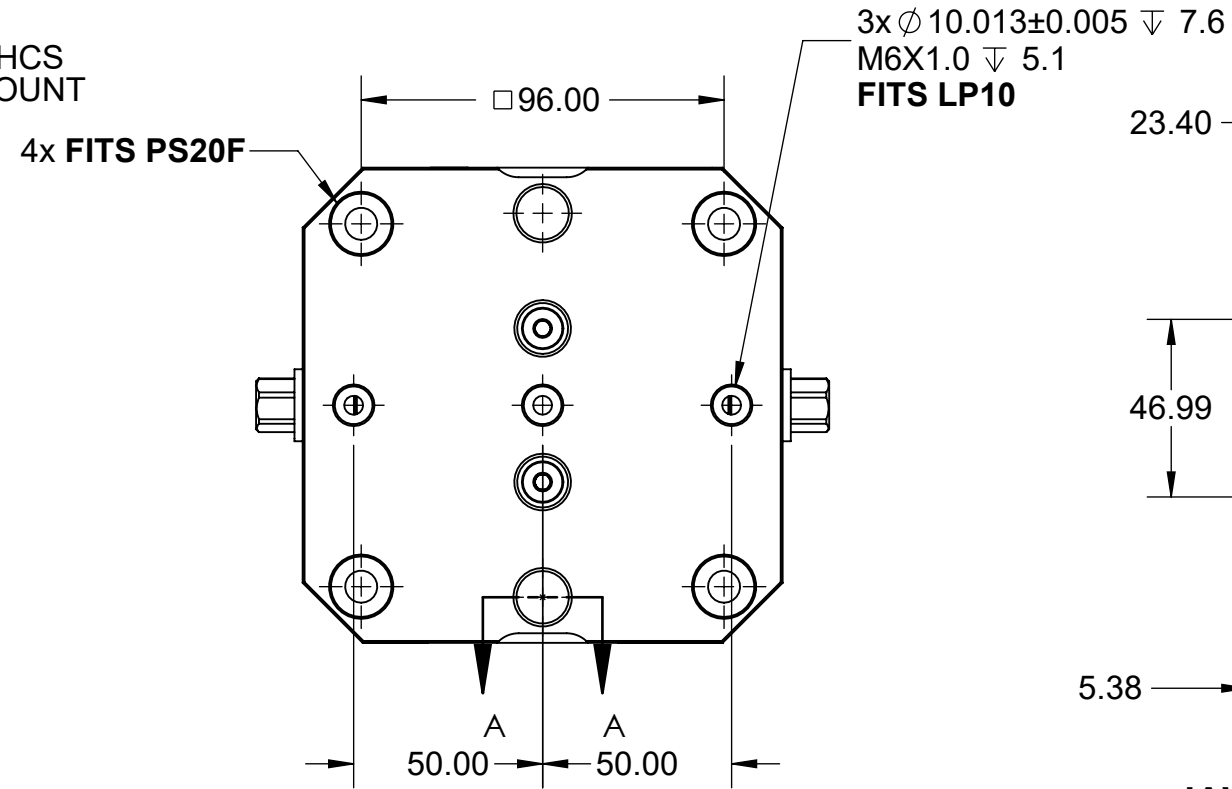
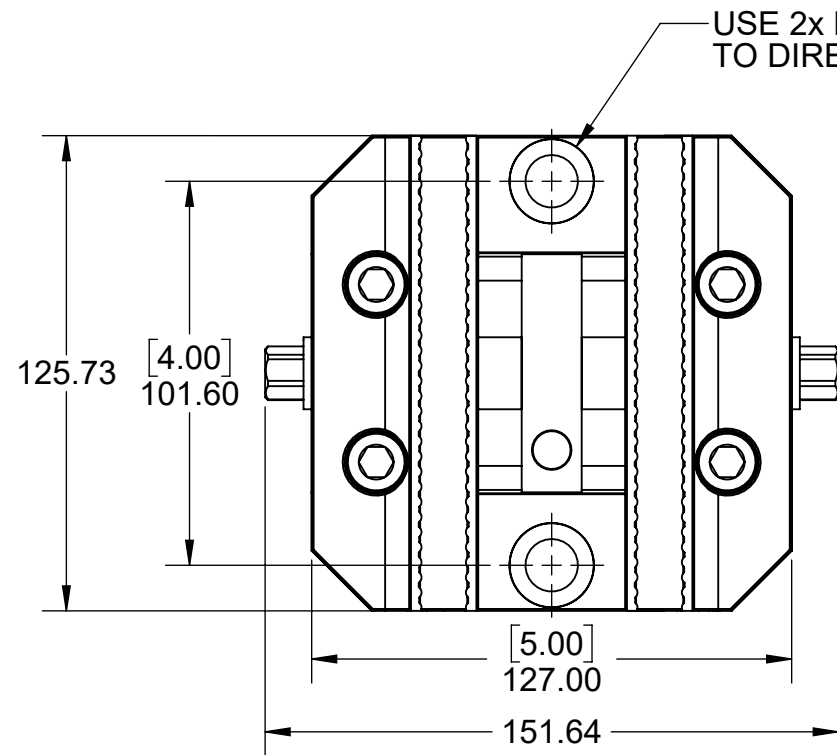
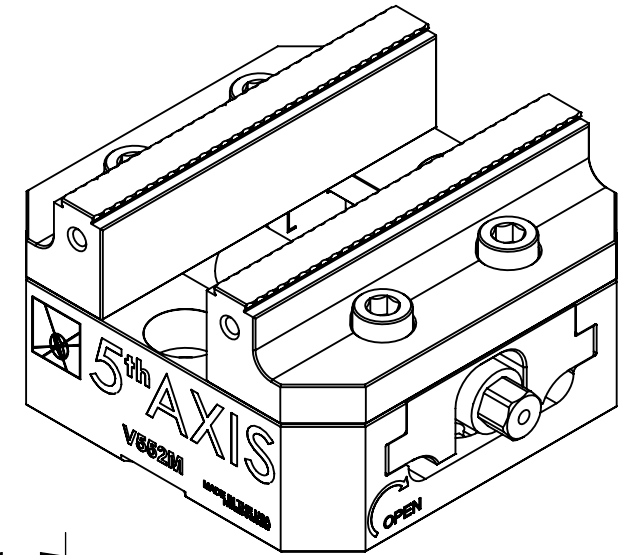

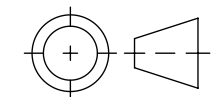


TECHNICAL DATA	V552M
JAW WIDTH	125.73mm
BASE LENGTH	127.00mm
MAXIMUM TORQUE (JAW BOLT)	47.45 Nm
CLAMPING FORCE	19.57kN @ 74.57 Nm
MAXIMUM TORQUE (LEADSCREW)	74.57 Nm
MAXIMUM TORQUE (MOUNTING BOLT)	47.45 Nm
SELF-CENTERING ACCURACY	± 12.7µm

V552M



MILLIMETER		TOLERANCES UNLESS OTHERWISE SPECIFIED			
DRAWN IN ACCORDANCE WITH ASME Y14.5-2009		x ± 0.1 .xx ± 0.01 .x ± 0.05 .xxx ± 0.005 ANGULAR ± 0.5°			
WWW.5THAXIS.COM		THIRD ANGLE PROJECTION		DESCRIPTION SELF-CENTERING VISE	
7140 ENGINEER ROAD SAN DIEGO, CA 92111				SIZE B	PART NO. V552M
P (858) 505-0432 F (858) 505-9344				DO NOT SCALE DRAWING	SCALE 1:2
				WEIGHT:	SHEET 1 OF 3
				REV A	

8

7

6

5

4

3

2

1

D

D

C

C

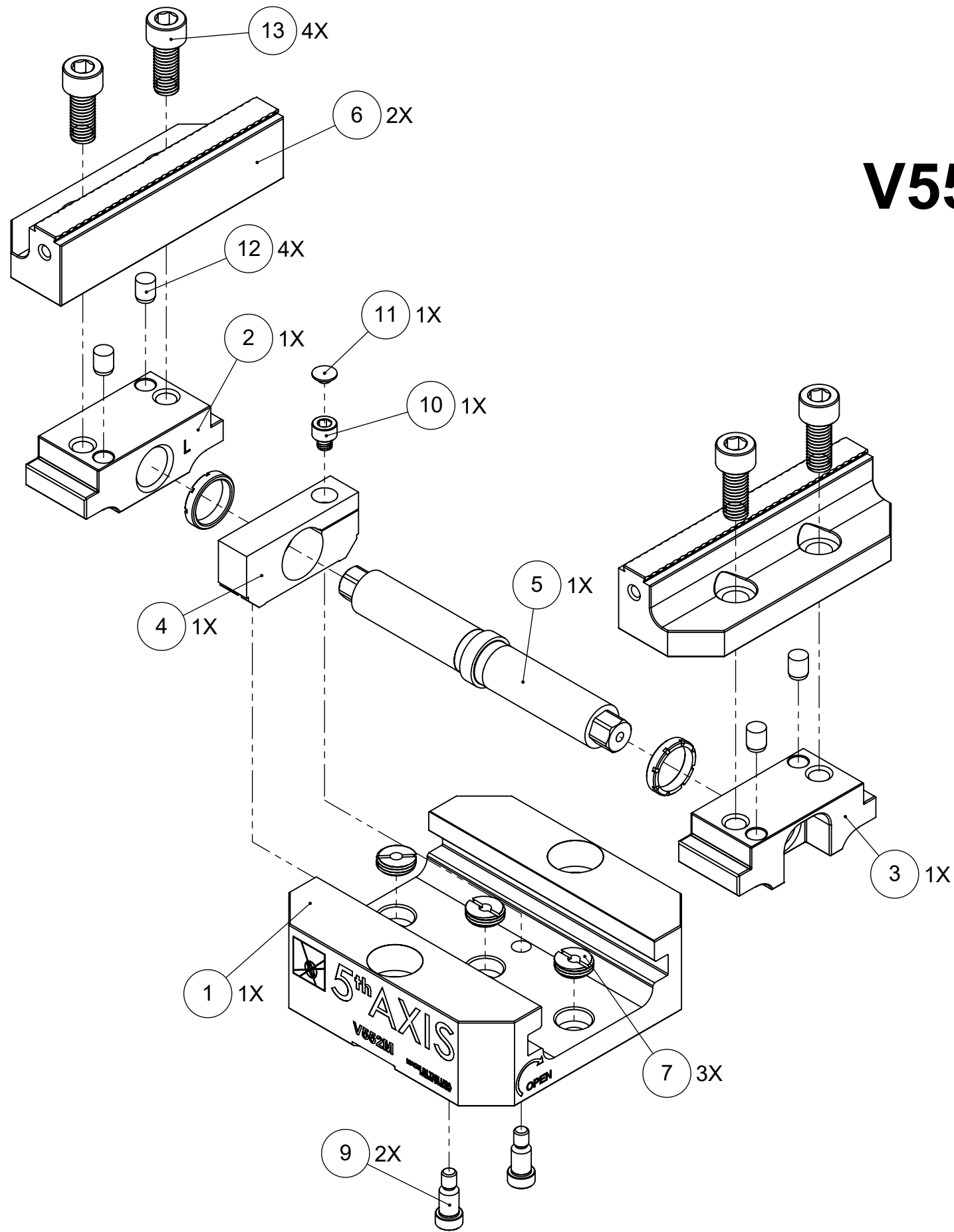
B

B

A

A

V552M



ITEM NO.	PART NUMBER	DESCRIPTION	QTY.
1	V552M-1	BASE	1
2	V562M-2L	LEFT TRUCK	1
3	V562M-2R	RIGHT TRUCK	1
4	V562MX-3	CENTER BLOCK	1
5	V562M-4	LEAD SCREW	1
6	V562M-5	JAW	2
7	TIM-58	THREADED INSERT	3
8	V56124-6	CENTER BLOCK RING	2
9	SB5VX	SHOULDER BOLT	2
10	91290A310	SOCKET HEAD CAP SCREW	1
11	M6C	PLASTIC PLUG	1
12	M8X12.DP	DOWEL PIN, M8 X 12mm	4
13	91290A520	SOCKET HEAD CAP SCREW	4
14	ANTI-SEIZE	ANTI-SEIZE (NOT SHOWN)	1
15	LP10	LOCATING PIN (NOT SHOWN)	2
16	TS13	THUMB SCREW (NOT SHOWN)	1

FOR REFERENCE ONLY - NOT FOR RESALE

MILLIMETER <small>DRAWN IN ACCORDANCE WITH ASME Y14.5-2009</small> WWW.5THAXIS.COM 7140 ENGINEER ROAD SAN DIEGO, CA 92111 P (858) 505-0432 F (858) 505-9344	TOLERANCES <small>UNLESS OTHERWISE SPECIFIED</small> x ± 0.1 .xx ± 0.01 .x ± 0.05 .xxx ± 0.005 ANGULAR ± 0.5° THIRD ANGLE PROJECTION				
		DESCRIPTION SELF-CENTERING VISE			
SIZE B PART NO. V552M REV A		DO NOT SCALE DRAWING	SCALE 1:2	WEIGHT:	SHEET 2 OF 3

8

7

6

5

4

3

2

1

8

7

6

5

4

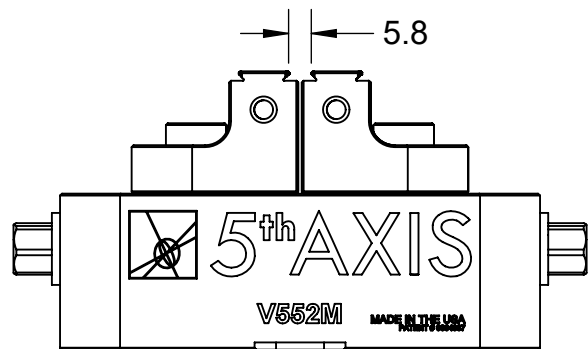
3

2

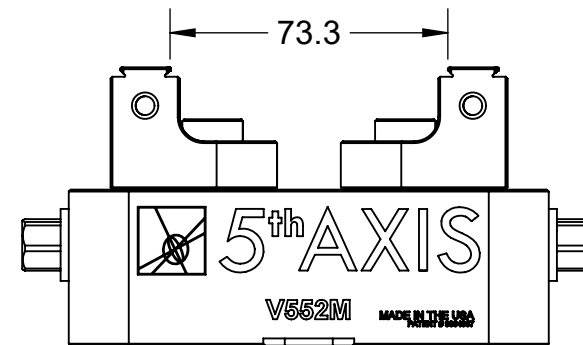
1

NOTE: USING DOVETAIL ALLOWS VISE TO CLAMP LARGER PART.
BELOW CLAMPING RANGE ONLY SHOWS THE CAPABILITY OF THE GRIPPER TEETH.

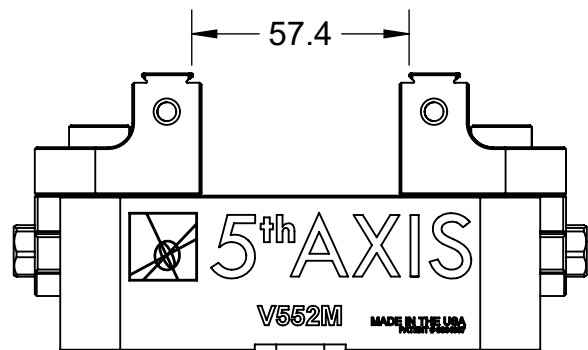
V552M



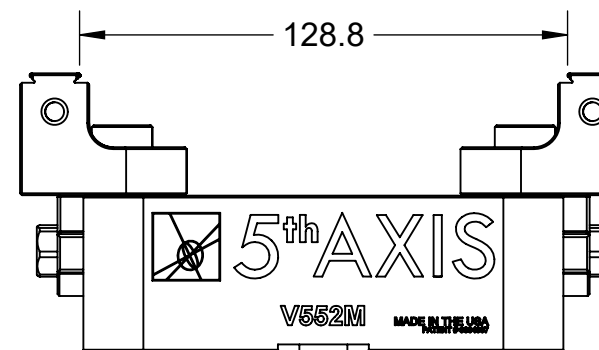
FORWARD JAWS (MINIMUM CLAMPING RANGE)



REVERSE JAWS (MINIMUM CLAMPING RANGE)



FORWARD JAWS (MAXIMUM CLAMPING RANGE)



REVERSE JAWS (MAXIMUM CLAMPING RANGE)

MILLIMETER

DRAWN IN ACCORDANCE WITH
ASME Y14.5-2009

WWW.5THAXIS.COM

7140 ENGINEER ROAD
SAN DIEGO, CA 92111

P (858) 505-0432
F (858) 505-9344

TOLERANCES

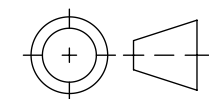
UNLESS OTHERWISE SPECIFIED

x ± 0.1 .xx ± 0.01

.x ± 0.05 .xxx ± 0.005

ANGULAR ± 0.5°

THIRD ANGLE PROJECTION



DESCRIPTION
SELF-CENTERING VISE

SIZE B	PART NO. V552M	REV A
------------------	--------------------------	-----------------

DO NOT SCALE DRAWING	SCALE 1:2	WEIGHT:	SHEET 3 OF 3
----------------------	-----------	---------	--------------

8

7

6

5

4

3

2

1