

8

7

6

5

4

3

2

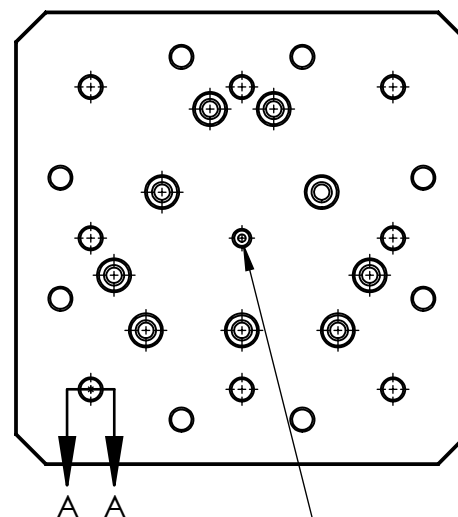
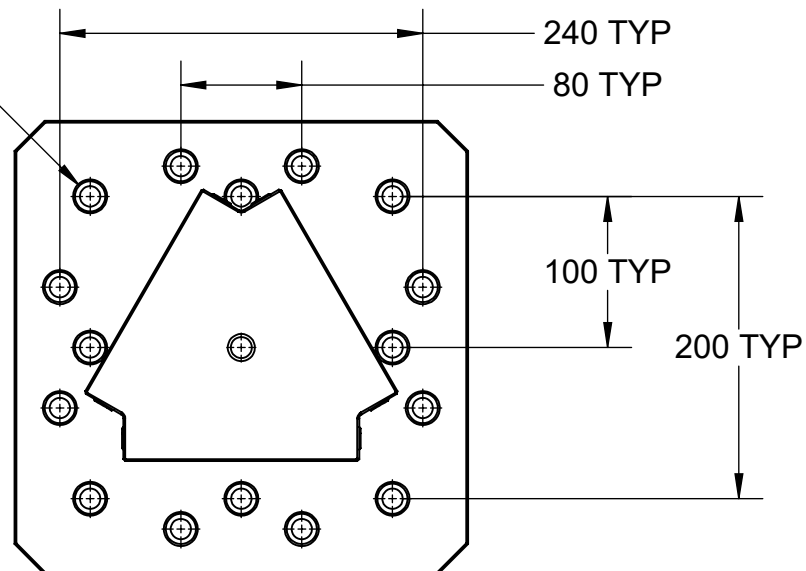
1

**MATERIAL:**  
**RL96A-3003: 6061 ALUMINUM BODY**  
**RL96S-3003: 1018 STEEL BODY**

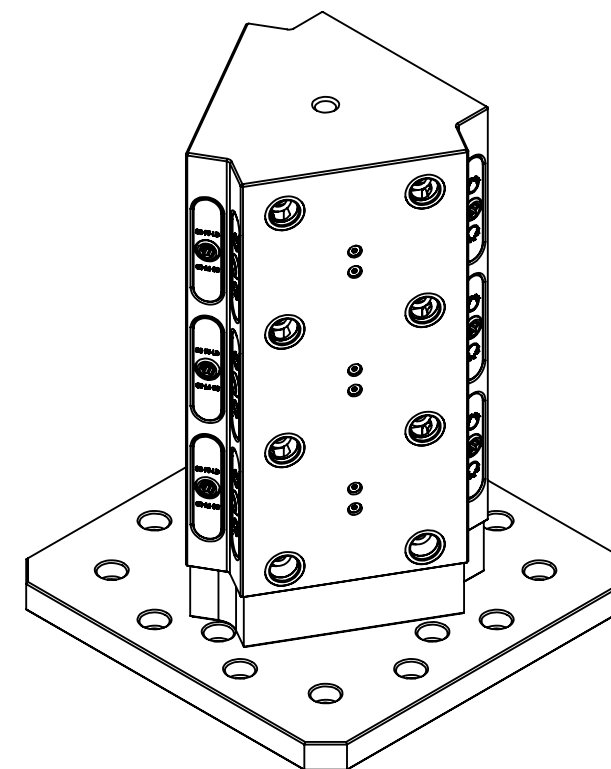
# RL96A-3003

# RL96S-3003

16X  $\phi$  13.5 THRU ALL  
 $\square$   $\phi$  20.0  $\nabla$  12  
 USE M12 SHCS



$\square$   $\phi$  10.025<sup>+0.005</sup>/<sub>0.000</sub>  $\nabla$  7.4  
 M6X1.0  $\nabla$  15.6  
 FITS LP10



D

D

C

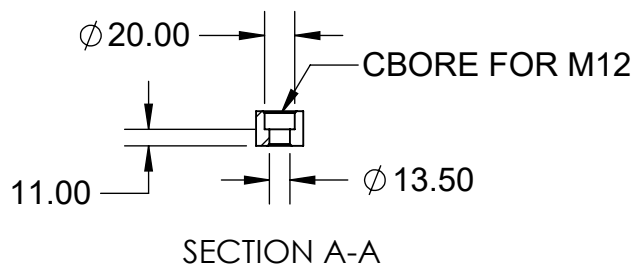
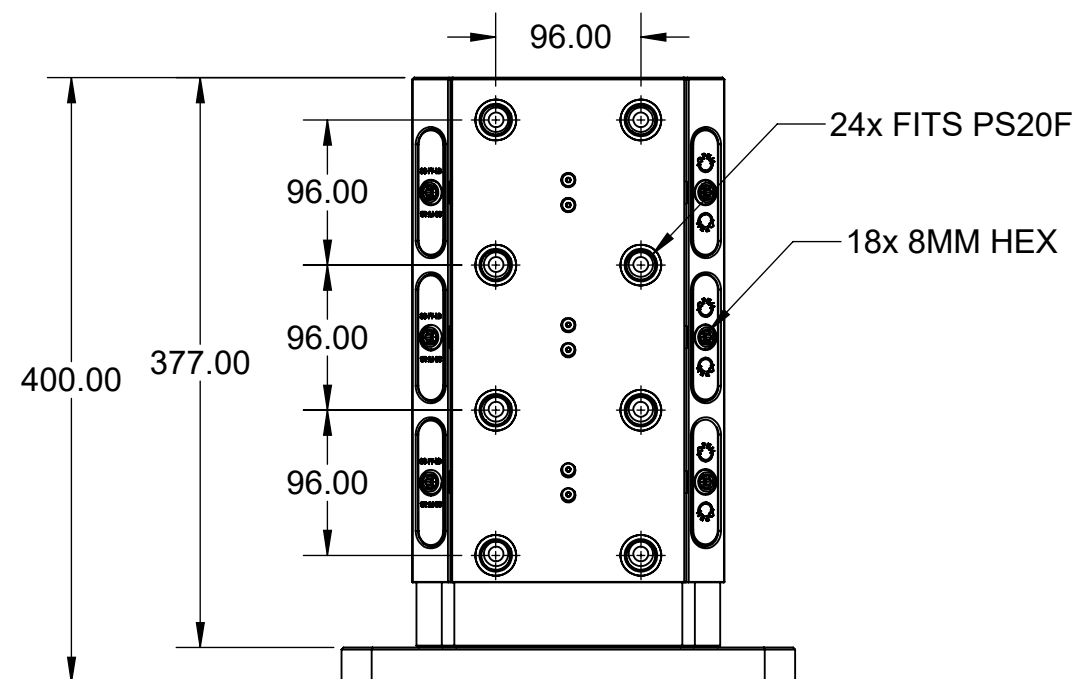
C


B

B

A

A



<b>MILLIMETER</b>		<b>TOLERANCES</b> UNLESS OTHERWISE SPECIFIED			
DRAWN IN ACCORDANCE WITH ASME Y14.5-2009		x $\pm$ 0.1    .xx $\pm$ 0.01 .x $\pm$ 0.05    .xxx $\pm$ 0.005 ANGULAR $\pm$ 0.5° THIRD ANGLE PROJECTION			
WWW.5THAXIS.COM		DESCRIPTION		ROCKLOCK™ 96MM THREE SIDED TOMBSTONE	
7140 ENGINEER ROAD SAN DIEGO, CA 92111		SIZE	PART NO.	REV	
P (858) 505-0432 F (858) 505-9344		<b>B</b>	<b>RL96A-3003 / RL96S-3003</b>	<b>A</b>	
		DO NOT SCALE DRAWING	SCALE 1:5	WEIGHT:	SHEET 1 OF 3

8

7

6

5

4

3

2

1