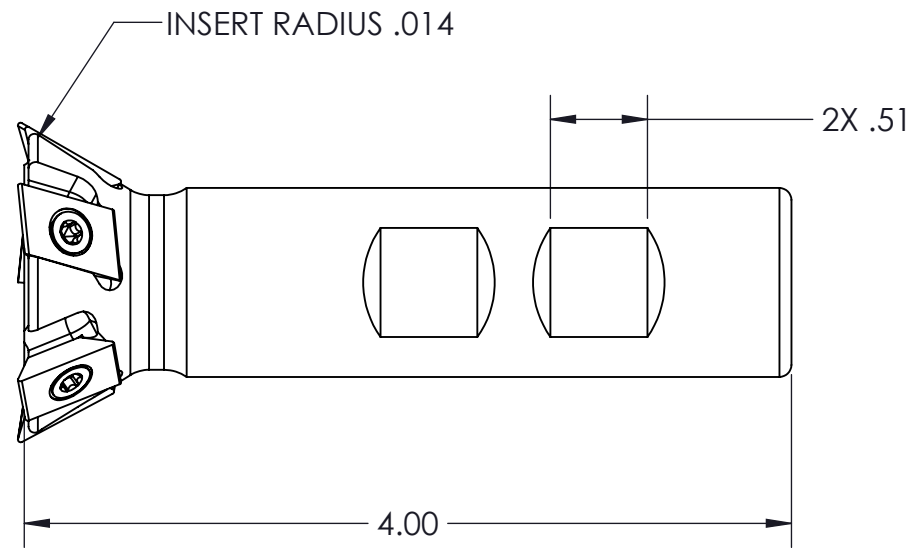
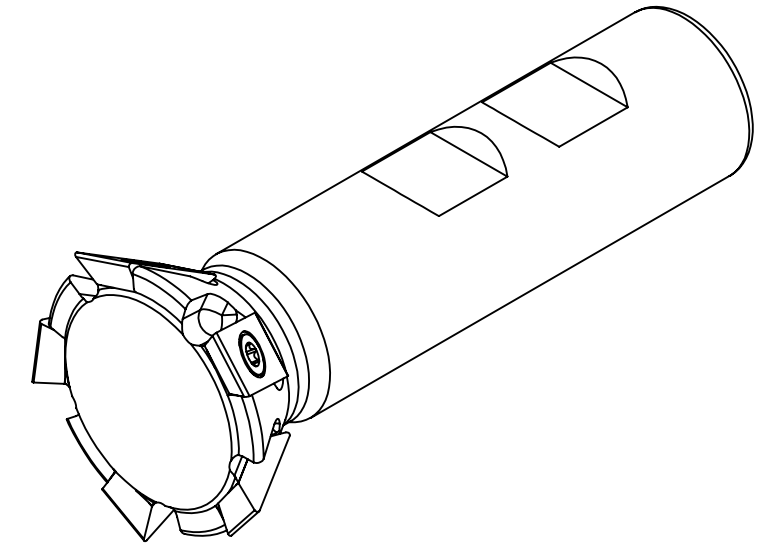
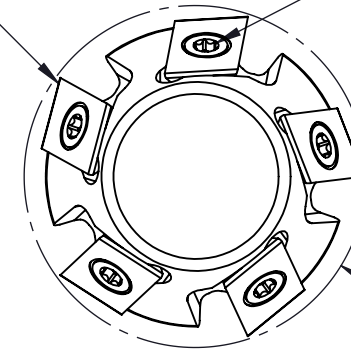


# DC1750-60

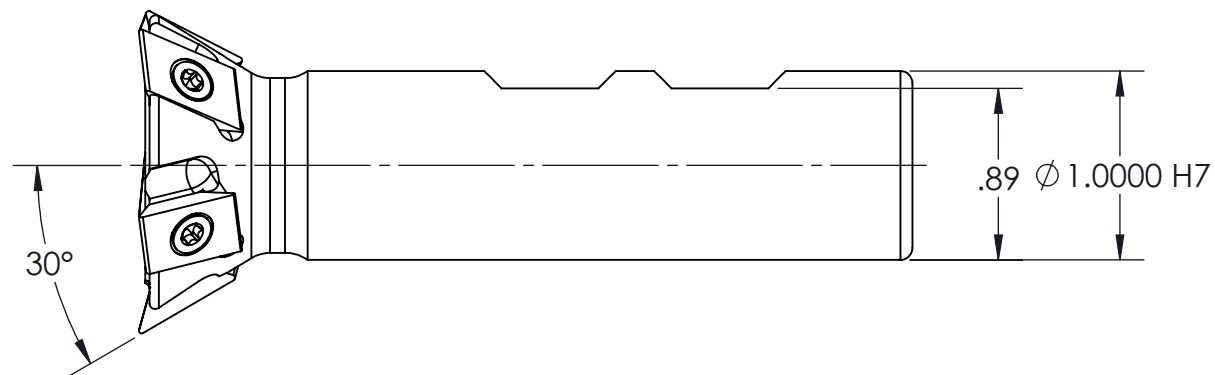


5X DC1750-B

5X DC1750-S



PROGRAM  $\varnothing$  1.781



<b>INCH</b> <small>DRAWN IN ACCORDANCE WITH ASME Y14.5-2009</small> <b>PROPRIETARY AND CONFIDENTIAL</b> <small>THE INFORMATION CONTAINED IN THIS DRAWING IS THE SOLE PROPERTY OF FIFTH AXIS, INC. ANY REPRODUCTION IN PART OR AS A WHOLE WITHOUT THE WRITTEN PERMISSION OF FIFTH AXIS, INC. IS PROHIBITED.</small>	<b>TOLERANCES</b> <small>UNLESS OTHERWISE SPECIFIED</small> X $\pm$ 0.1    .XX $\pm$ 0.01 .X $\pm$ 0.05    .XXX $\pm$ 0.005 ANGULAR $\pm$ 0.5°		WWW.FIFTHAXIS.COM 7140 ENGINEER ROAD SAN DIEGO, CA 92111 P (858) 505-0432 F (858) 505-9344
	THRID ANGLE PROJCTION 		
DESCRIPTION 60° DOVETAIL CUTTER			SIZE   PART NO.   REV <b>B</b>   DC1750-60   <b>A</b>
<small>DO NOT SCALE DRAWING</small>			<small>SCALE 1:1    WEIGHT: 0.12 LBS    SHEET 1 OF 1</small>