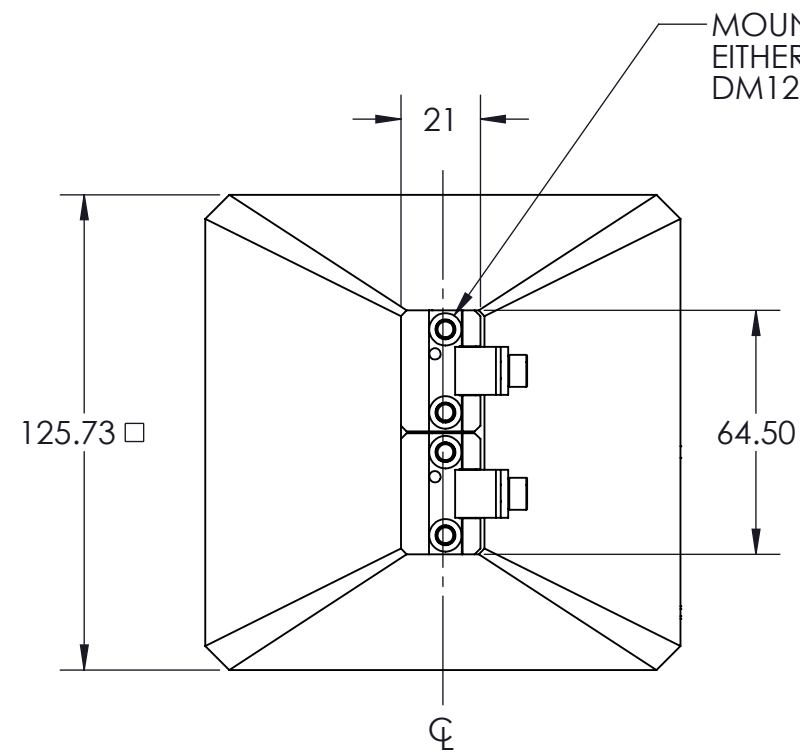
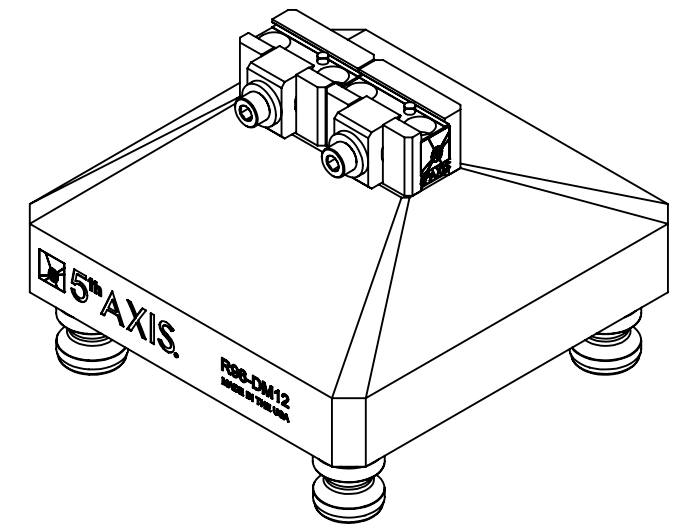
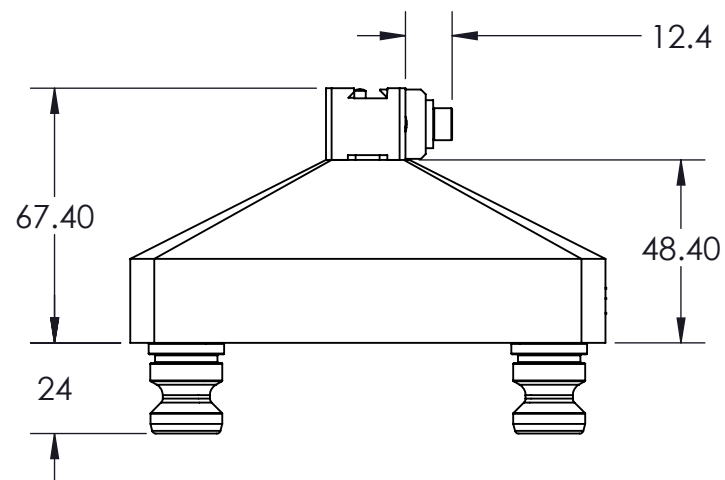
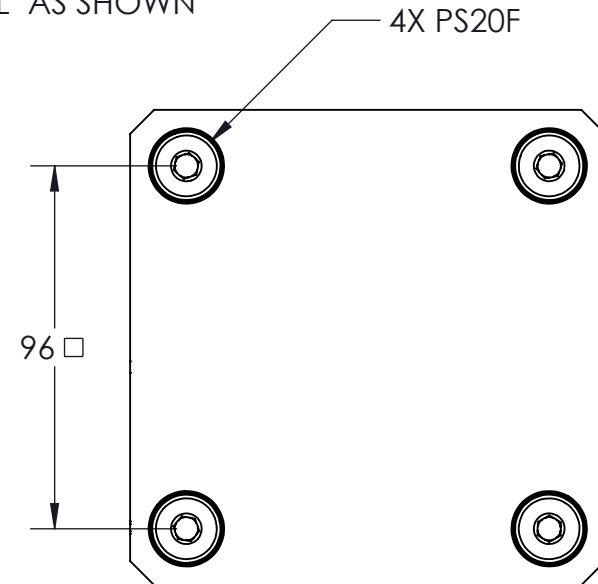


R96-DM12X2



MOUNTING HOLES CAN ACCOMMODATE EITHER ONE DM12 CENTERED OR TWO DM12 FIXTURES MOUNTED IN PARALLEL AS SHOWN



MILLIMETER <small>DRAWN IN ACCORDANCE WITH ASME Y14.5-2009</small>		TOLERANCES <small>UNLESS OTHERWISE SPECIFIED</small>			<small>WWW.FIFTHAXIS.COM</small> <small>7140 ENGINEER ROAD</small> <small>SAN DIEGO, CA 92111</small> <small>P (858) 505-0432 F (858) 505-9344</small>	
PROPRIETARY AND CONFIDENTIAL <small>THE INFORMATION CONTAINED IN THIS DRAWING IS THE SOLE PROPERTY OF FIFTH AXIS, INC. ANY REPRODUCTION IN PART OR AS A WHOLE WITHOUT THE WRITTEN PERMISSION OF FIFTH AXIS, INC. IS PROHIBITED.</small>		<small>X ± 1.0</small> <small>.X ± 0.3 ANGULAR ± 0.5°</small> <small>.XX ± 0.13</small>			DESCRIPTION ROCKLOCK™ 96MM DM12 FIXTURE	
<small>THIRD ANGLE PROJECTION</small> 		<small>SIZE</small> B		<small>PART NO.</small> R96-DM12		<small>REV</small> A
<small>DO NOT SCALE DRAWING</small>		<small>SCALE 1:2</small>		<small>WEIGHT:</small>		<small>SHEET 1 OF 1</small>