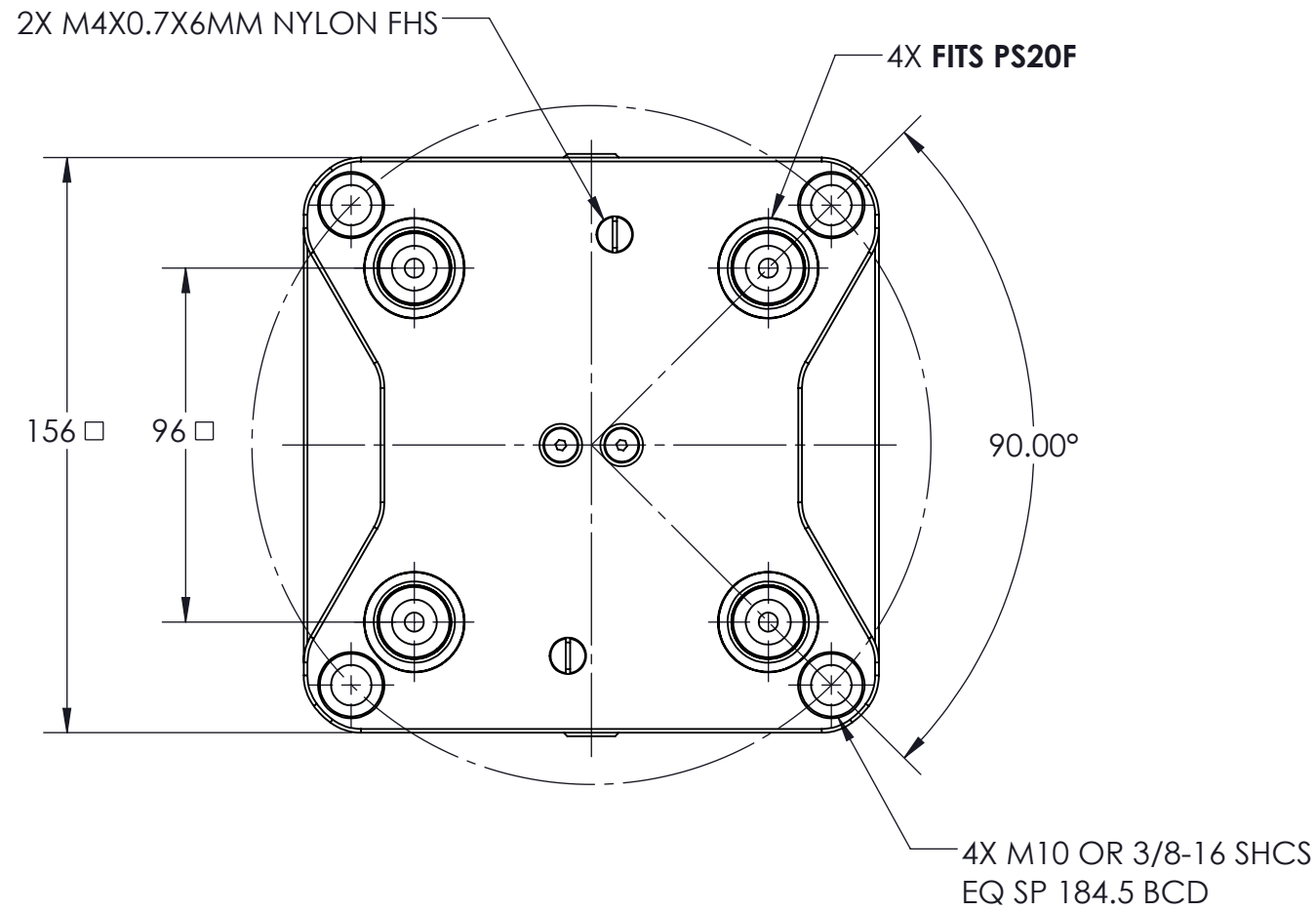
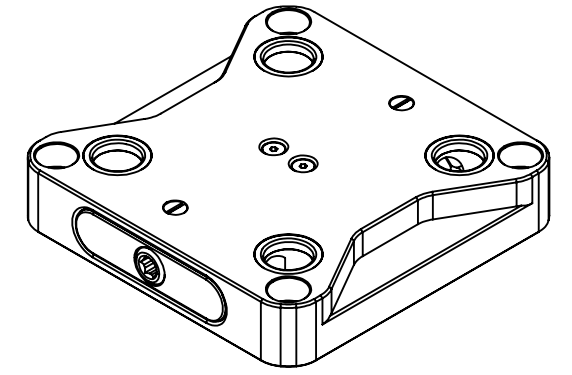
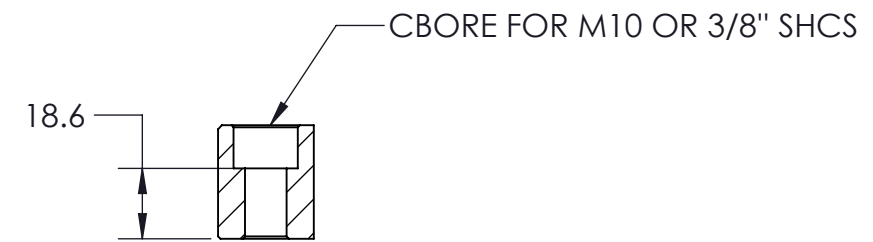
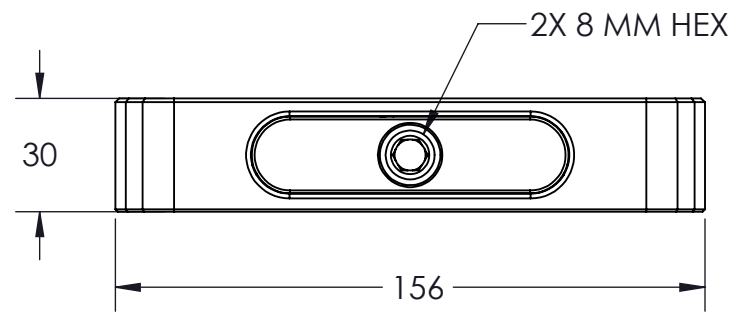
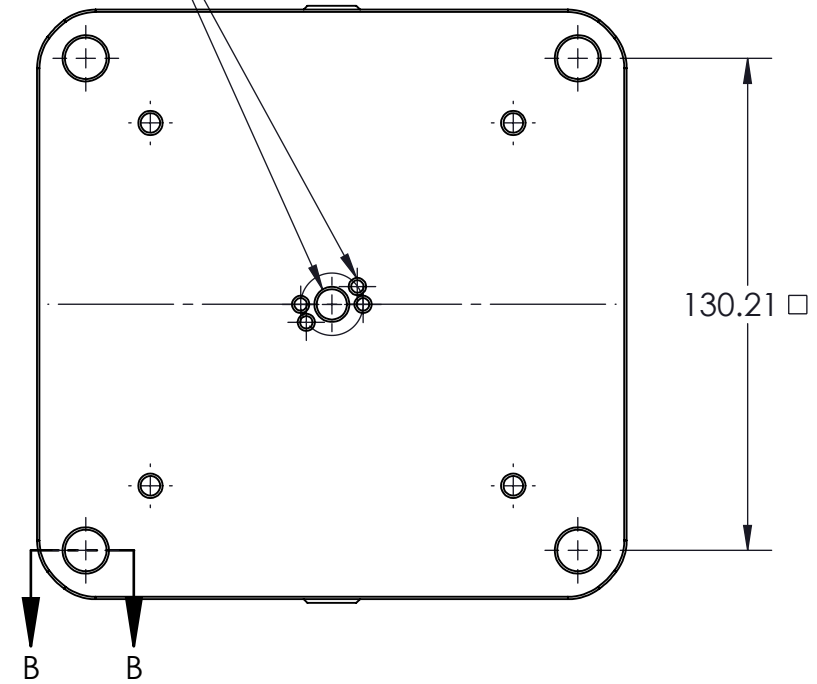


MATERIAL:
 RL96S-6760: 1018 STEEL BODY
 RL96A-6760: 6061 ALUMINIUM BODY

RL96S-6790 RL96A-6790



FOR 5TH AXIS
 CENTERING SPUD



SECTION B-B
 SCALE 1 : 2

MILLIMETER <small>DRAWN IN ACCORDANCE WITH ASME Y14.5-2009</small> PROPRIETARY AND CONFIDENTIAL <small>THE INFORMATION CONTAINED IN THIS DRAWING IS THE SOLE PROPERTY OF FIFTH AXIS, INC. ANY REPRODUCTION IN PART OR AS A WHOLE WITHOUT THE WRITTEN PERMISSION OF FIFTH AXIS, INC. IS PROHIBITED.</small>	TOLERANCES <small>UNLESS OTHERWISE SPECIFIED</small> X ± 1.0 .X ± 0.3 ANGLULAR ± 0.5° .XX ± 0.13		<small>WWW.FIFTHAXIS.COM</small> 7140 ENGINEER ROAD SAN DIEGO, CA 92111 <small>P (858) 505-0432 F (858) 505-9344</small>
	<small>THIRD ANGLE PROJECTION</small> 		DESCRIPTION ROCKLOCK™ 96MM LOW PROFILE BASE
<small>SIZE</small> B	<small>PART NO.</small> RL96-6760	<small>REVISION</small> A	<small>DO NOT SCALE DRAWING</small> <small>SCALE 2:1</small> <small>WEIGHT:</small> <small>SHEET 1 OF 1</small>