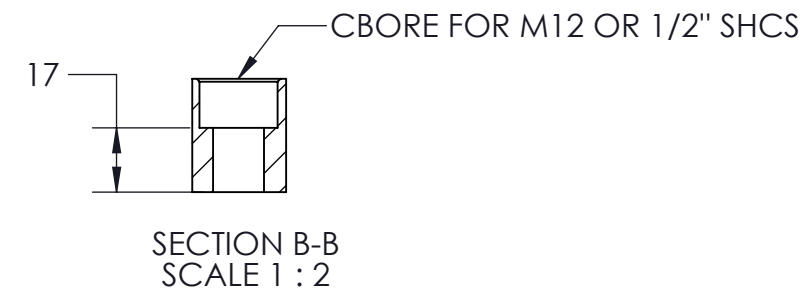
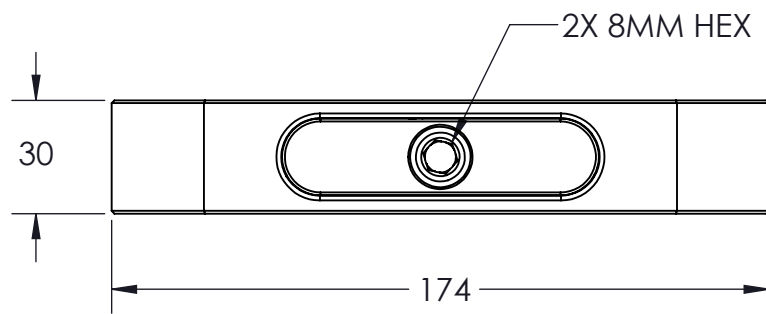
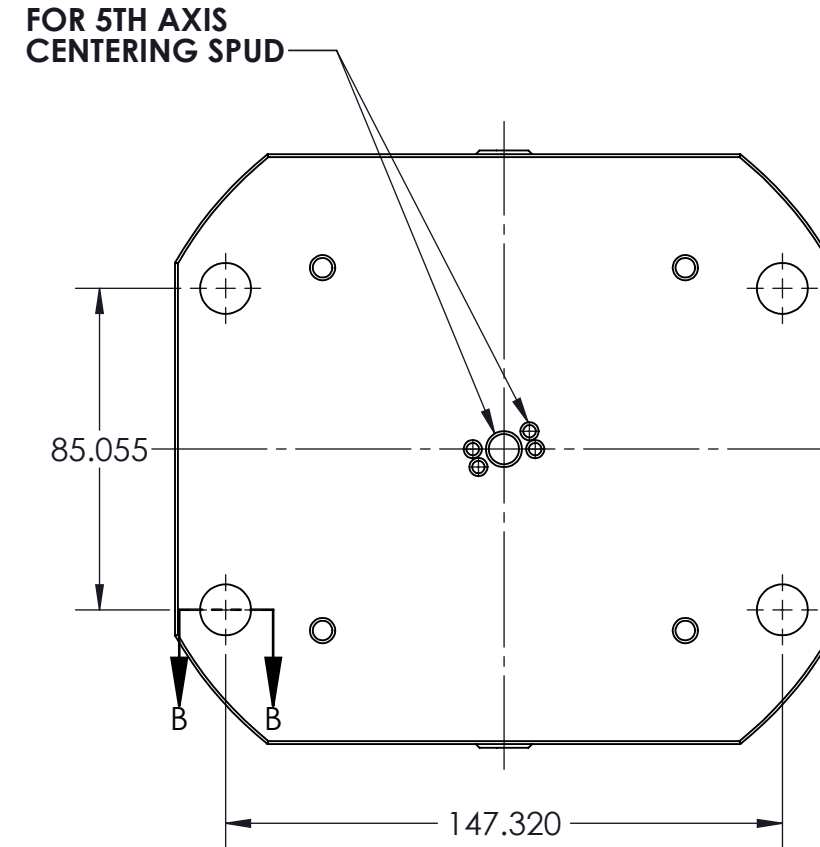
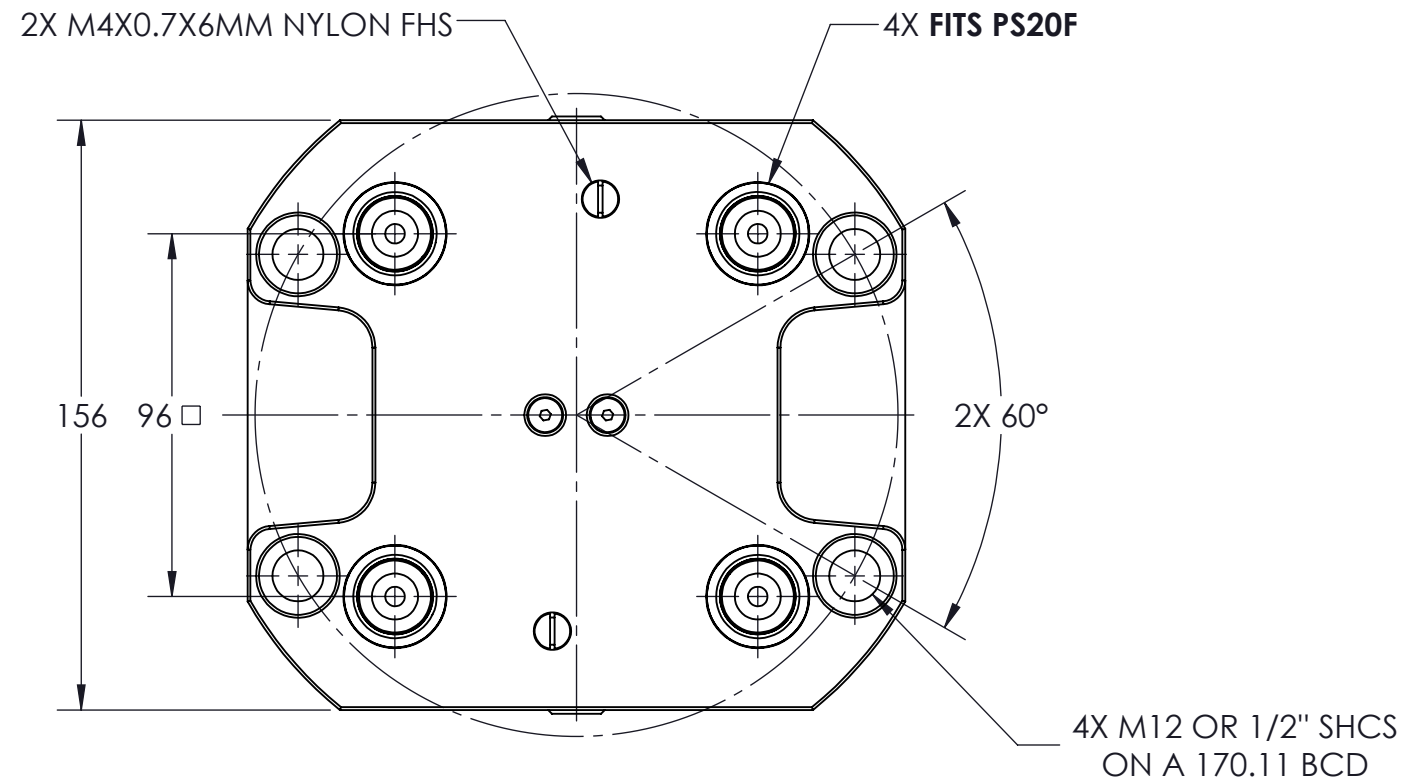
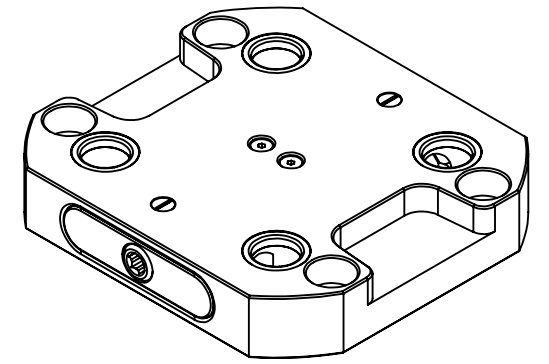


MATERIAL:
 RL96S-6760: 1018 STEEL
 RL96A-6760: 6061 ALUMINUM

RL96S-6760 RL96A-6760



MILLIMETER DRAWN IN ACCORDANCE WITH ASME Y14.5-2009 PROPRIETARY AND CONFIDENTIAL THE INFORMATION CONTAINED IN THIS DRAWING IS THE SOLE PROPERTY OF FIFTH AXIS, INC. ANY REPRODUCTION IN PART OR AS A WHOLE WITHOUT THE WRITTEN PERMISSION OF FIFTH AXIS, INC. IS PROHIBITED.	TOLERANCES UNLESS OTHERWISE SPECIFIED X ± 1.0 .X ± 0.3 ANGLULAR ± 0.5° .XX ± 0.13		WWW.FIFTHAXIS.COM 7140 ENGINEER ROAD SAN DIEGO, CA 92111 P (858) 505-0432 F (858) 505-9344
	THRID ANGLE PROJECTION 		DESCRIPTION ROCKLOCK™ 96MM LOW PROFILE BASE
SIZE B		PART NO. RL96-6760	REV A
DO NOT SCALE DRAWING		SCALE 2:1	WEIGHT: SHEET 1 OF 1