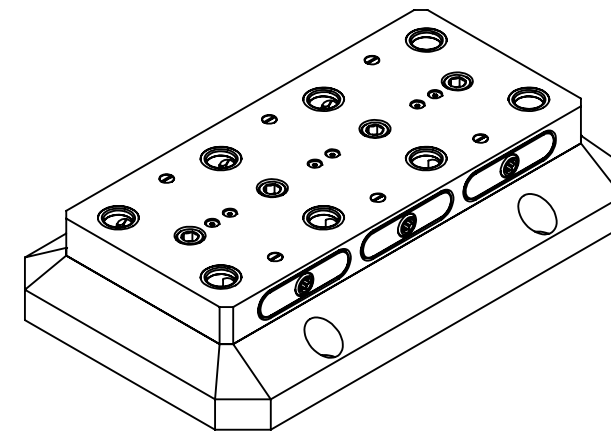


RL96A-3915



D

D

C

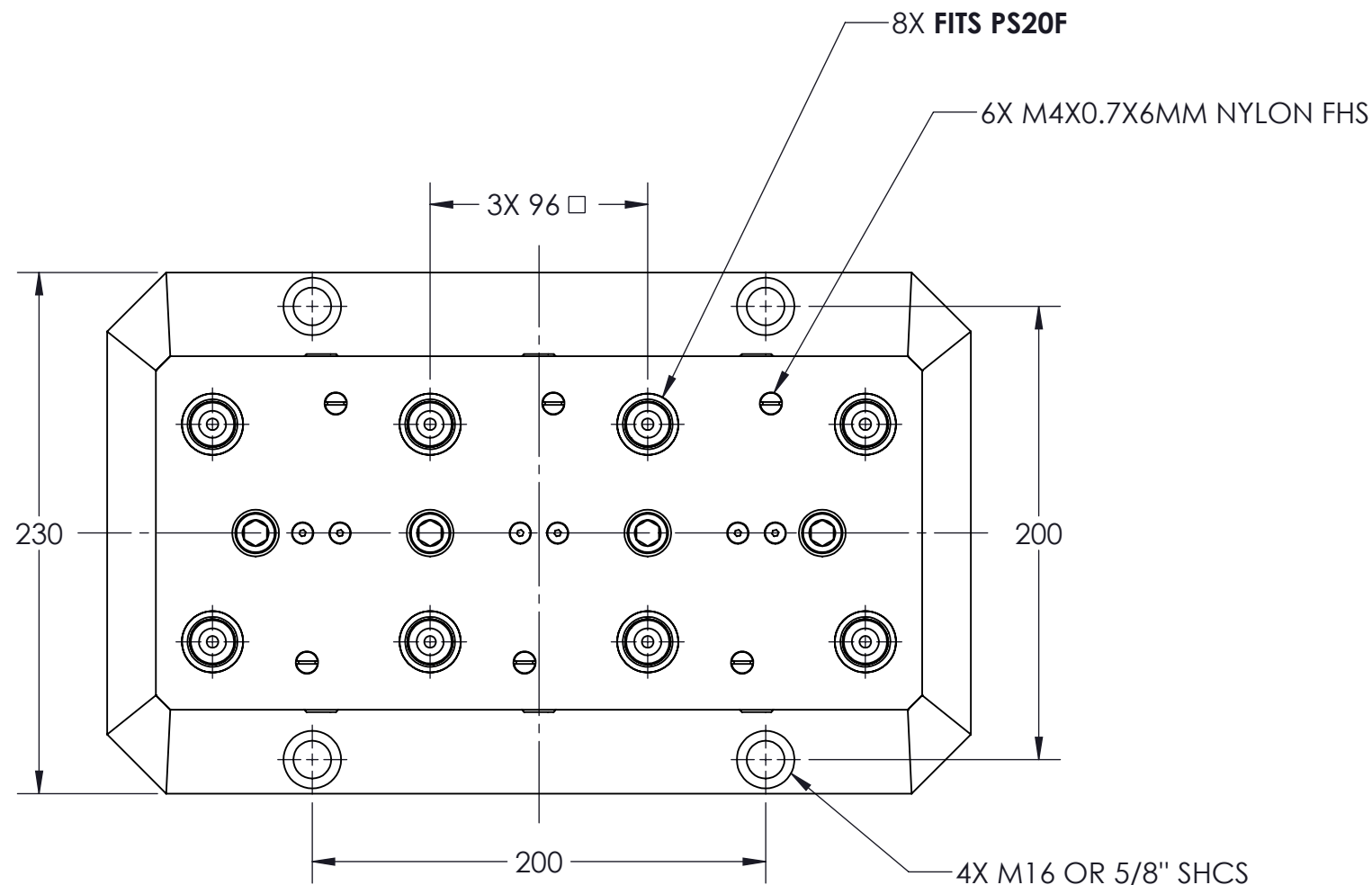
C

B

B

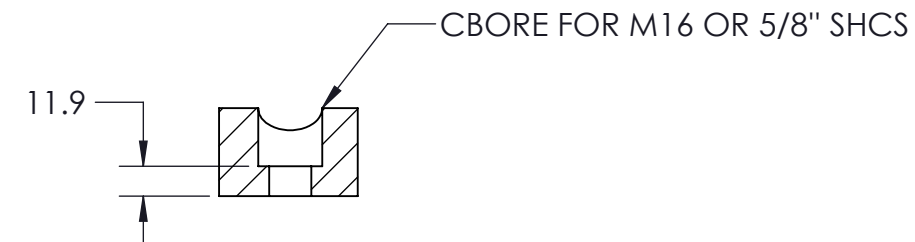
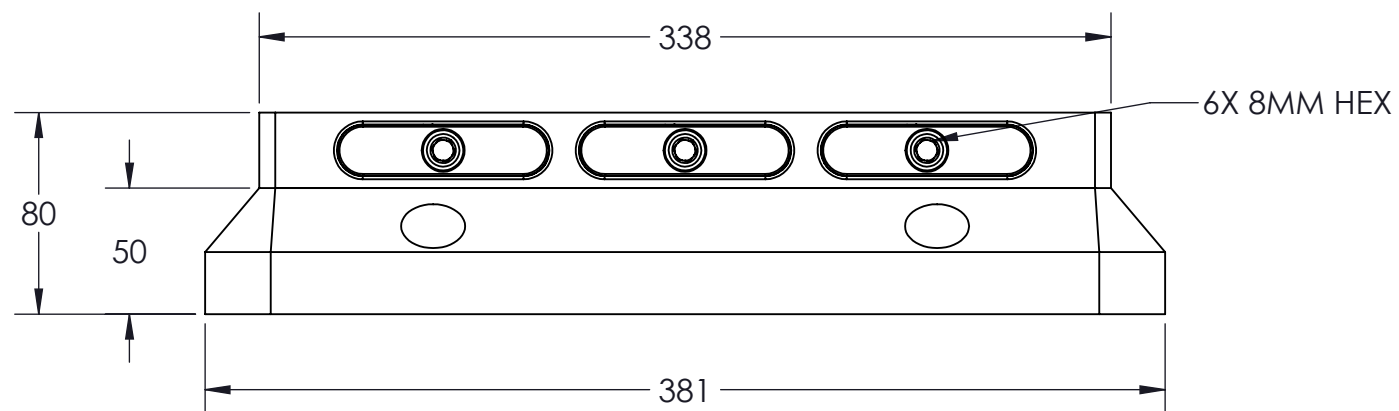
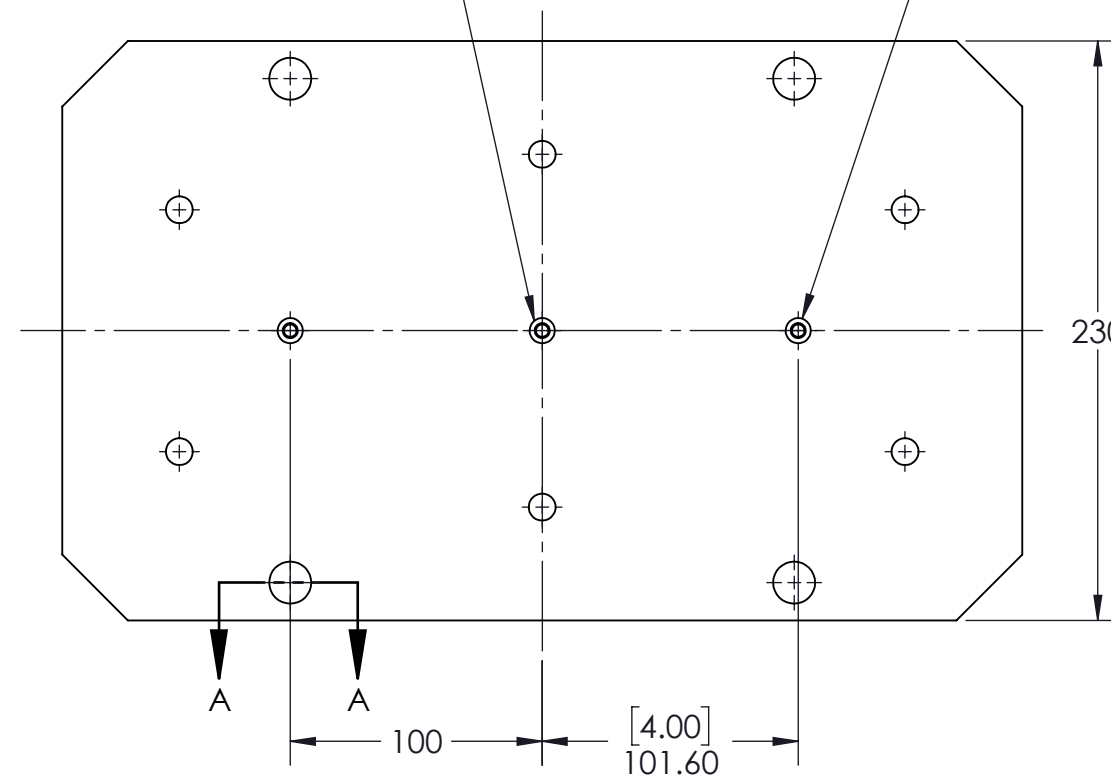
A

A



FITS LP10 OR 5TH
AXIS CENTERING SPUD

3X ϕ 10.025 H7
FITS LP10



SECTION A-A
SCALE 1 : 3

MILLIMETER	TOLERANCES
DRAWN IN ACCORDANCE WITH ASME Y14.5-2009	UNLESS OTHERWISE SPECIFIED
PROPRIETARY AND CONFIDENTIAL	X \pm 1.0 .X \pm 0.3 ANGLULAR \pm 0.5° .XX \pm 0.13
THE INFORMATION CONTAINED IN THIS DRAWING IS THE SOLE PROPERTY OF FIFTH AXIS, INC. ANY REPRODUCTION IN PART OR AS A WHOLE WITHOUT THE WRITTEN PERMISSION OF FIFTH AXIS, INC. IS PROHIBITED.	THIRD ANGLE PROJECTION

		WWW.FIFTHAXIS.COM 7140 ENGINEER ROAD SAN DIEGO, CA 92111 P (858) 505-0432 F (858) 505-9344
DESCRIPTION ROCKLOCK™ 96MM MULTI POSITION RISER		
SIZE B	PART NO. RL96A-3915	REV A
DO NOT SCALE DRAWING	SCALE 1:5	WEIGHT: SHEET 1 OF 1