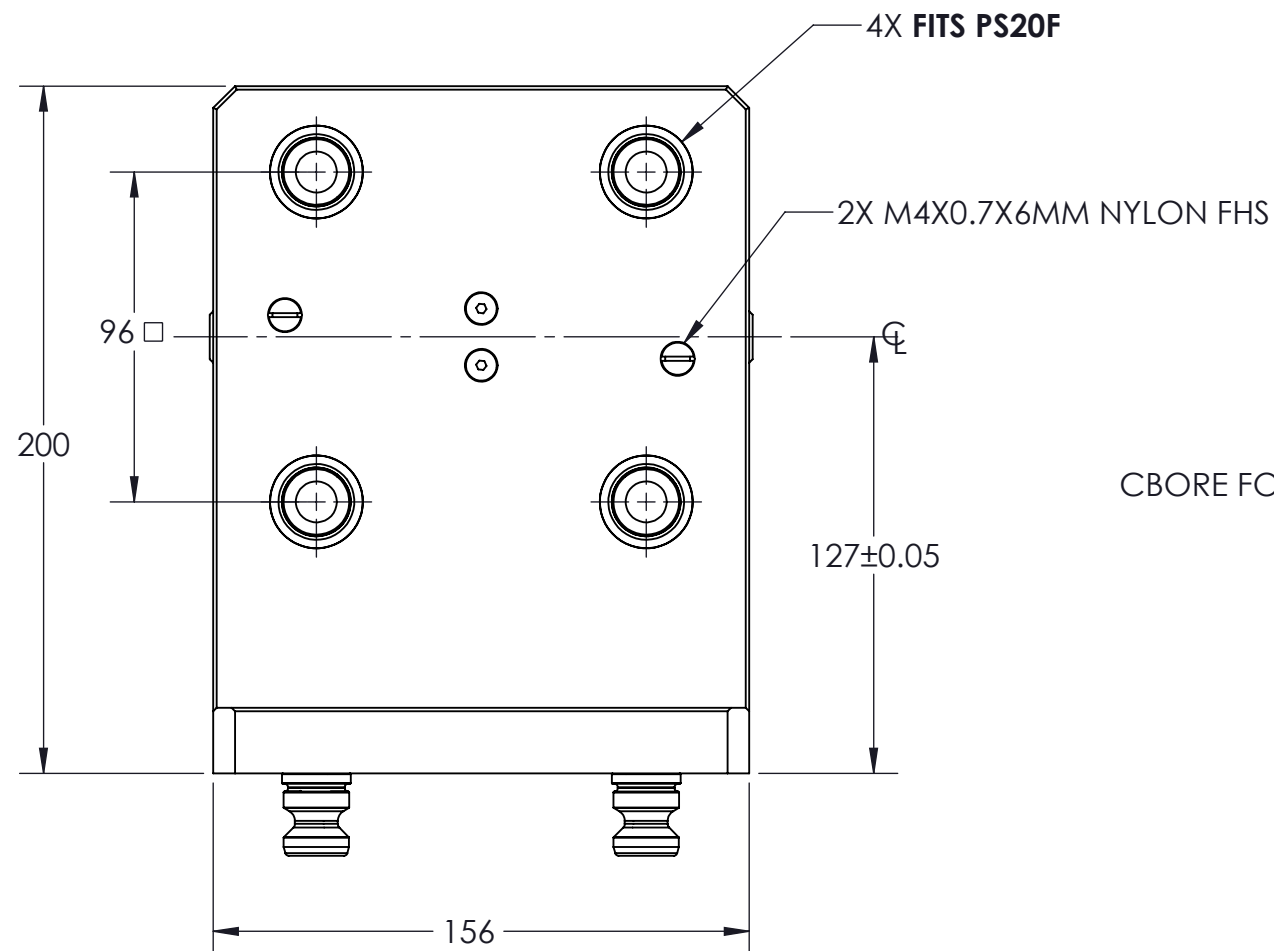
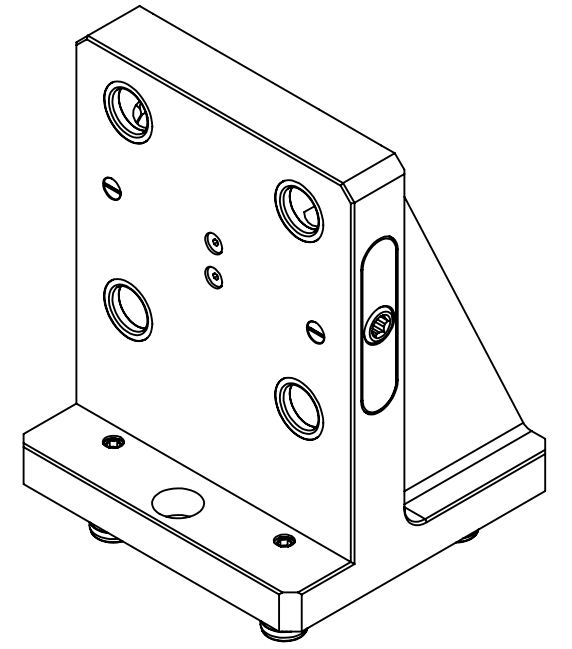
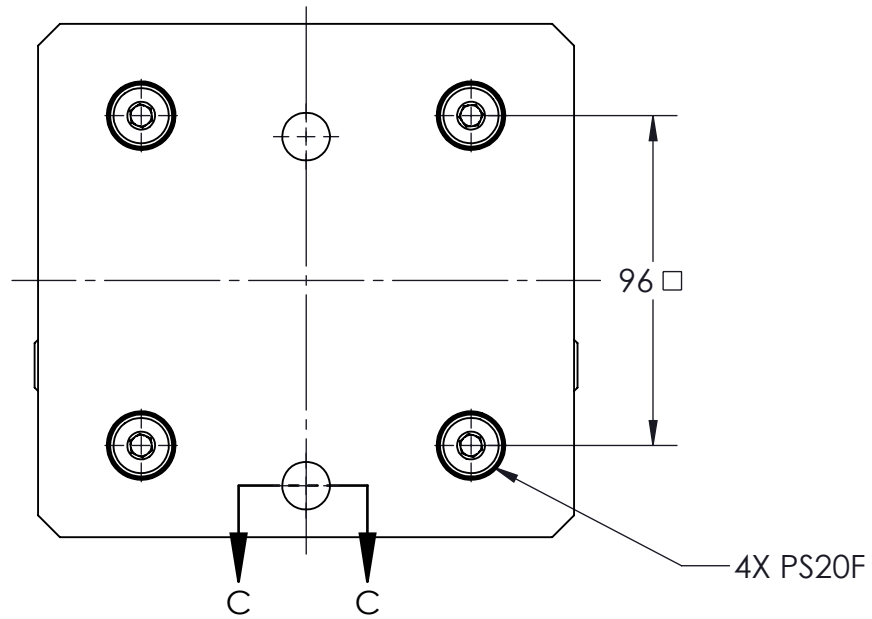
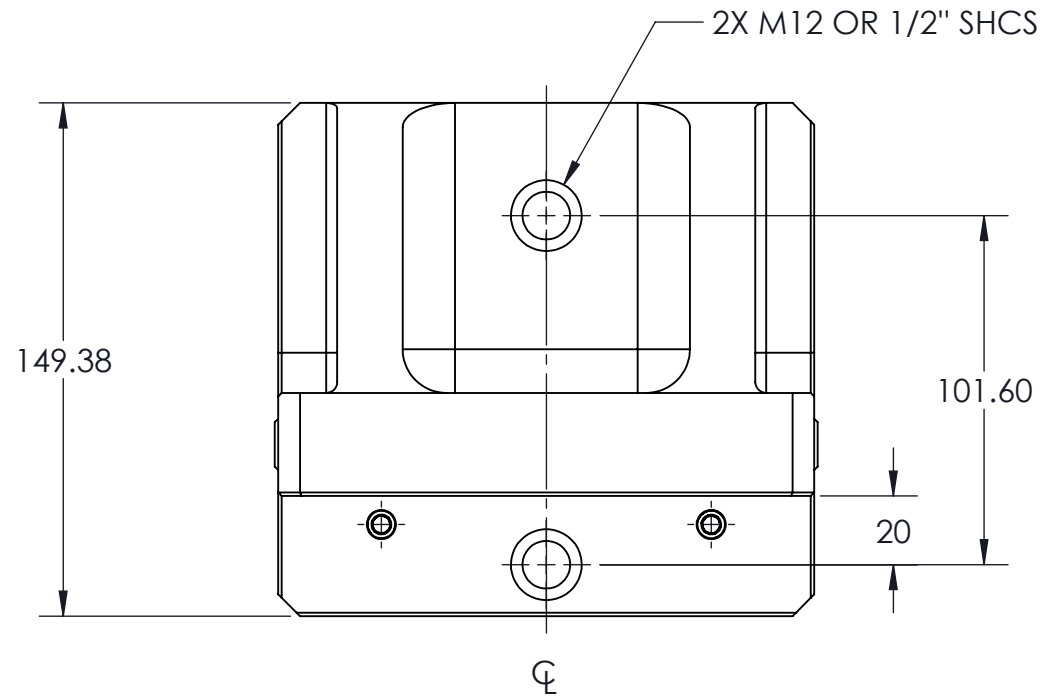
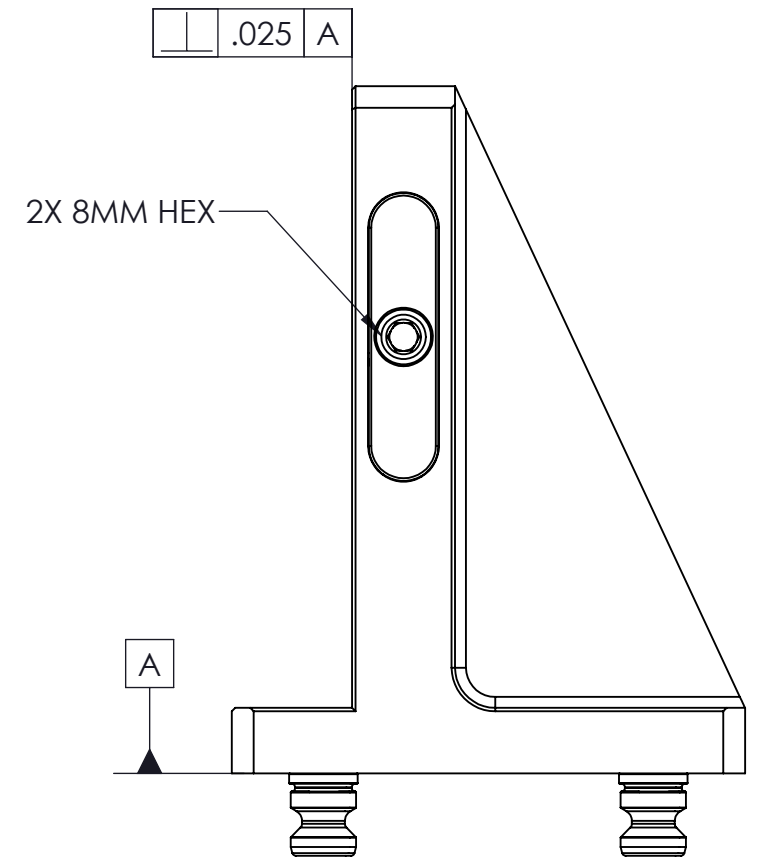
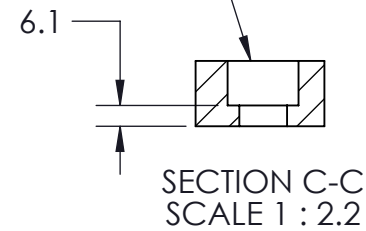


# RL96A-90DEG



CBORE FOR M12 OR 1/2" SHCS



|   |   |                 |   |
|---|---|-----------------|---|
| <b>MILLIMETER</b><br><small>DRAWN IN ACCORDANCE WITH ASME Y14.5-2009</small><br><b>PROPRIETARY AND CONFIDENTIAL</b><br><small>THE INFORMATION CONTAINED IN THIS DRAWING IS THE SOLE PROPERTY OF FIFTH AXIS, INC. ANY REPRODUCTION IN PART OR AS A WHOLE WITHOUT THE WRITTEN PERMISSION OF FIFTH AXIS, INC. IS PROHIBITED.</small> | <b>TOLERANCES</b><br><small>UNLESS OTHERWISE SPECIFIED</small><br>X ± 1.0<br>.X ± 0.3 ANGLULAR ± 0.5°<br>.XX ± 0.13 |                 | WWW.FIFTHAXIS.COM<br>7140 ENGINEER ROAD<br>SAN DIEGO, CA 92111<br>P (858) 505-0432 F (858) 505-9344 |
|   | <small>THIRD ANGLE PROJECTION</small><br>   |                 |   |
| SIZE<br><b>B</b>  | PART NO.<br><b>RL96A-90DEG</b>  | REV<br><b>A</b> | DO NOT SCALE DRAWING<br>SCALE 2:1<br>WEIGHT:<br>SHEET 1 OF 1  |