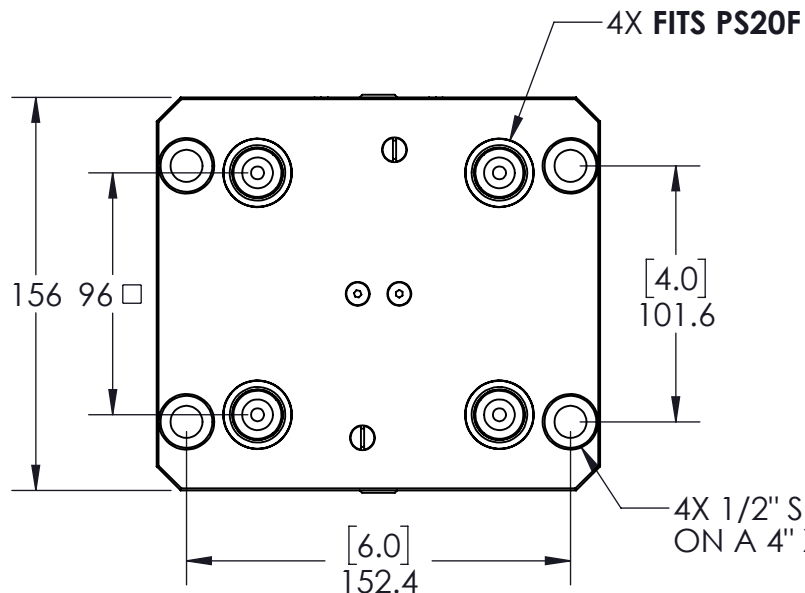
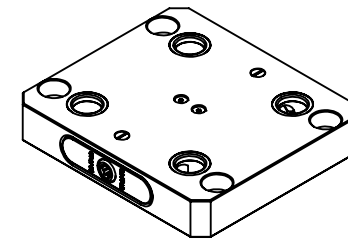
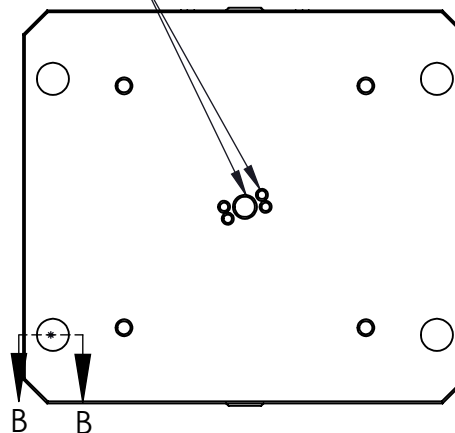


MATERIAL:
 RL96A-67: 6061 ALUMINUM
 RL96S-67: 1018 STEEL

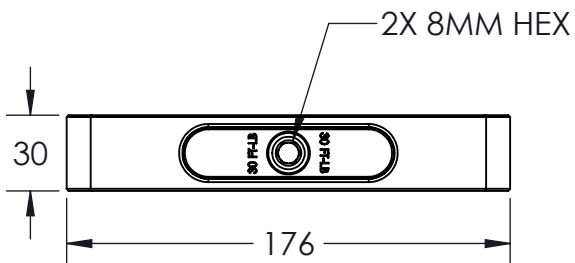
RL96A-67 RL96S-67



FOR 5TH AXIS
 CENTERING SPUD



B



CBORE FOR 1/2" SHOULDER BOLT



SECTION B-B
 SCALE 1 : 3

A

MILLIMETER DRAWN IN ACCORDANCE WITH ASME Y14.5-2009	TOLERANCES UNLESS OTHERWISE SPECIFIED X ± 0.1 .XX ± 0.01 X ± 0.05 .XXX ± 0.005 ANGULAR ± 0.5°		WWW.5THAXIS.COM 7140 ENGINEER ROAD SAN DIEGO, CA 92111 P (858) 505-0432 F (858) 505-9344
	PROPRIETARY AND CONFIDENTIAL THE INFORMATION CONTAINED IN THIS DRAWING IS THE SOLE PROPERTY OF FIFTH AXIS, INC. ANY REPRODUCTION IN PART OR AS A WHOLE WITHOUT THE WRITTEN PERMISSION OF FIFTH AXIS, INC. IS PROHIBITED.		THIRD ANGLE PROJECTION
SIZE A PART NO. RL96A-67 & RL96S-67		DO NOT SCALE DRAWING SCALE 1:1 WEIGHT: 5 LBS & 10 LBS SHEET 1 OF 1	