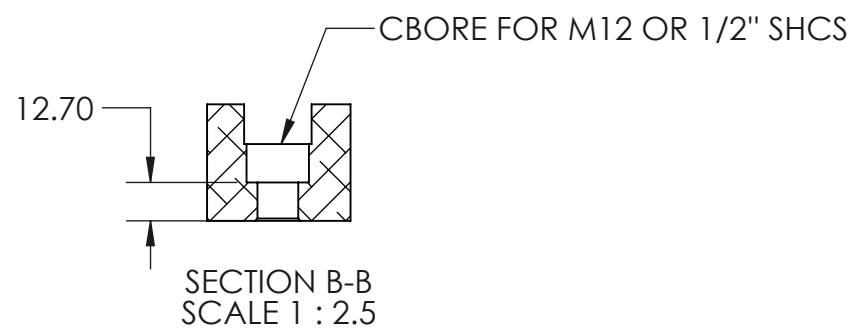
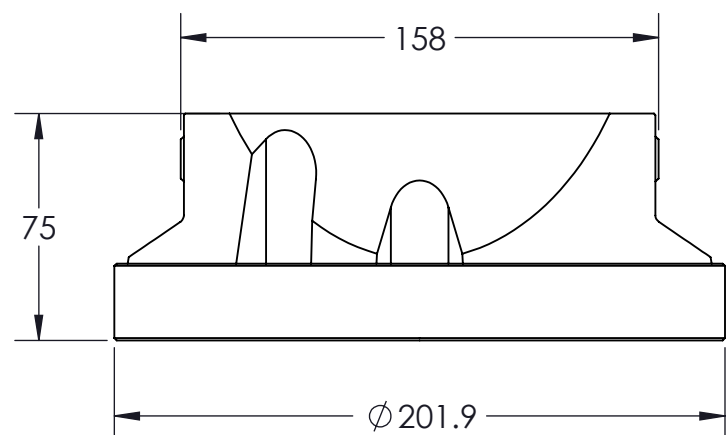
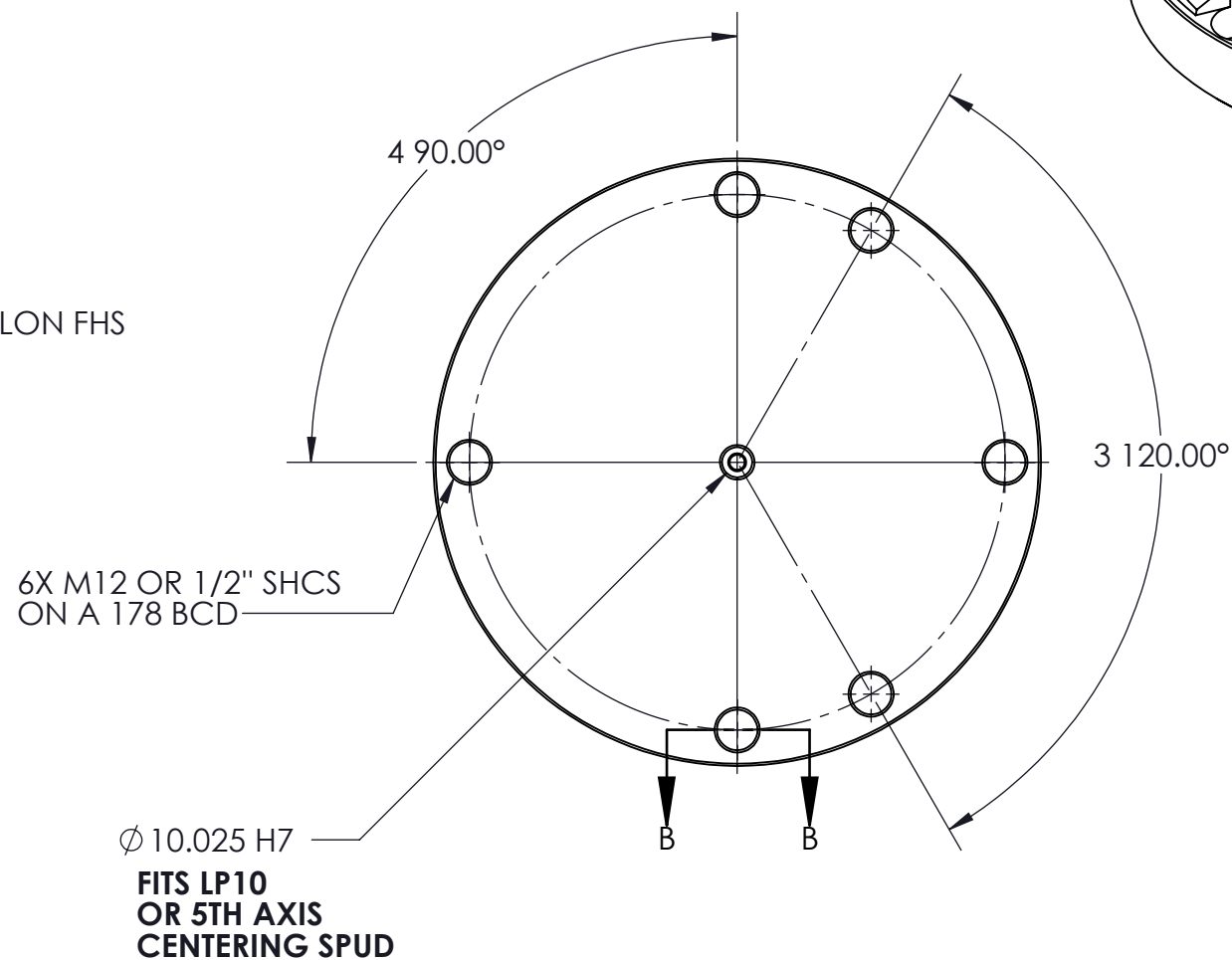
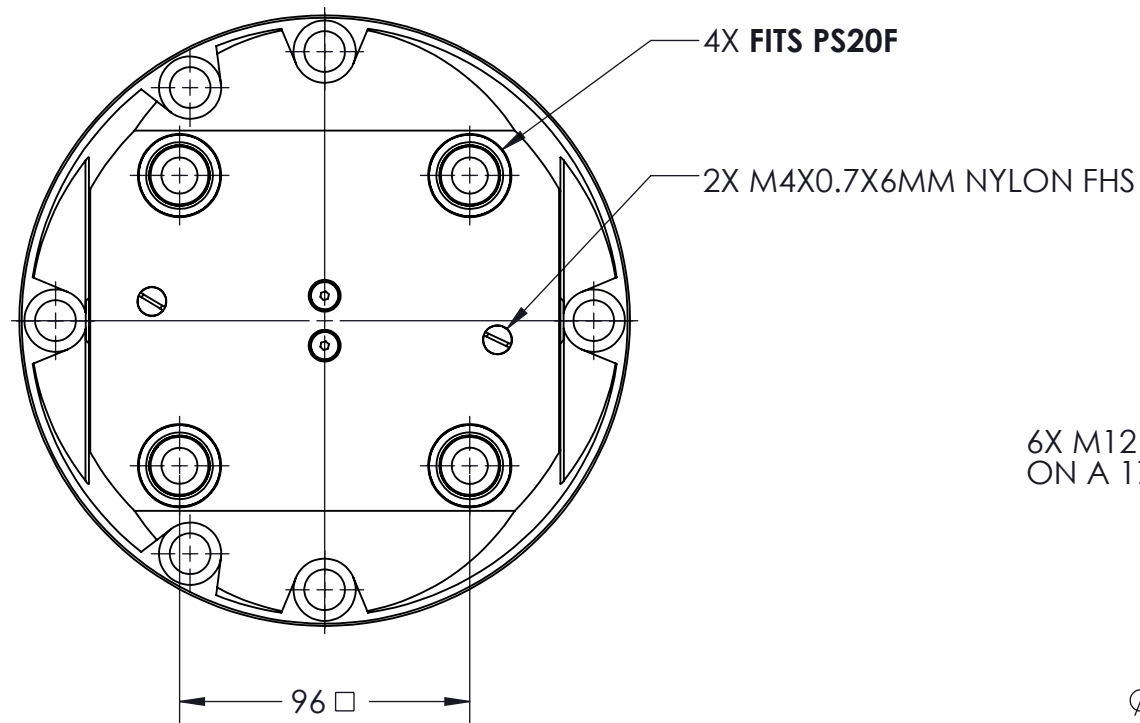
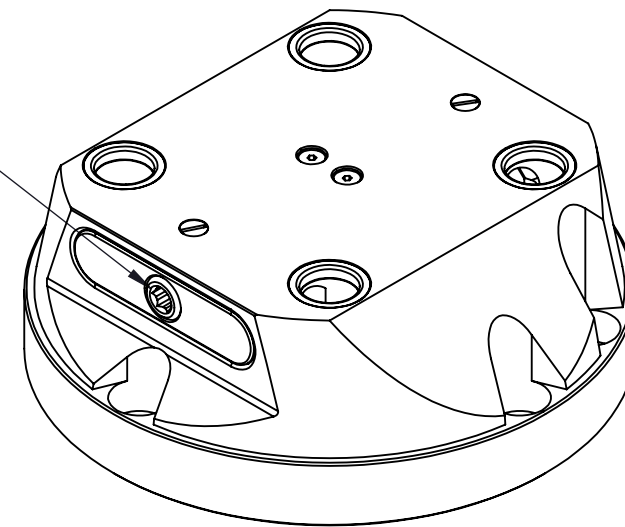


RL96A-38

2X 8MM HEX



| | |
|---|---|
| MILLIMETER | TOLERANCES |
| DRAWN IN ACCORDANCE WITH ASME Y14.5-2009 | UNLESS OTHERWISE SPECIFIED |
| PROPRIETARY AND CONFIDENTIAL | X ± 1.0 .X ± 0.3 ANGLULAR ± 0.5° .XX ± 0.13 |
| THE INFORMATION CONTAINED IN THIS DRAWING IS THE SOLE PROPERTY OF FIFTH AXIS, INC. ANY REPRODUCTION IN PART OR AS A WHOLE WITHOUT THE WRITTEN PERMISSION OF FIFTH AXIS, INC. IS PROHIBITED. | THIRD ANGLE PROJECTION |
| | |

| | | |
|----------------------|---|----------------------|
| | WWW.FIFTHAXIS.COM 7140 ENGINEER ROAD SAN DIEGO, CA 92111 P (858) 505-0432 F (858) 505-9344 | |
| | DESCRIPTION ROCKLOCK™ 96MM RISER | |
| SIZE B | PART NO. RL96A-38 | REV A |
| DO NOT SCALE DRAWING | SCALE 2:1 | WEIGHT: SHEET 1 OF 1 |