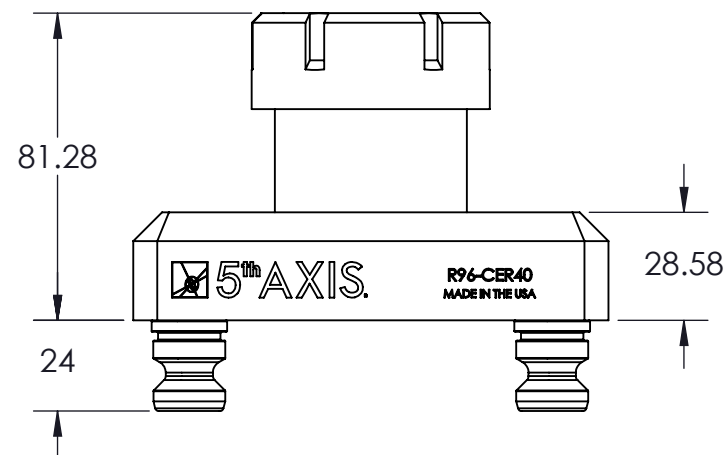
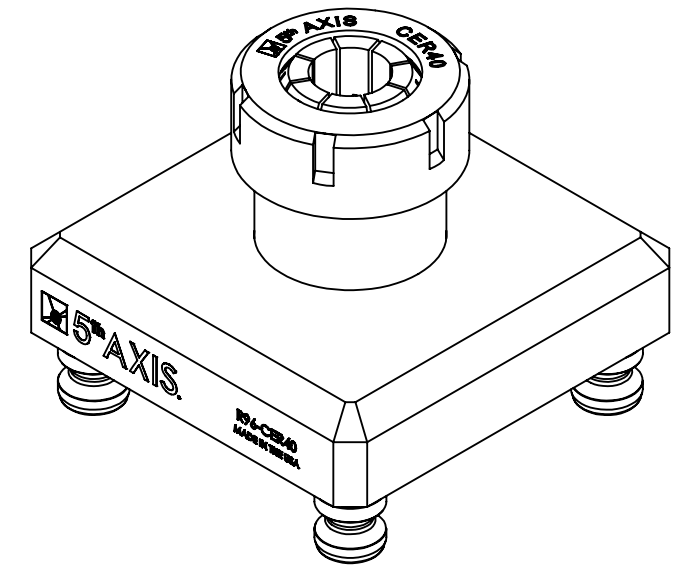
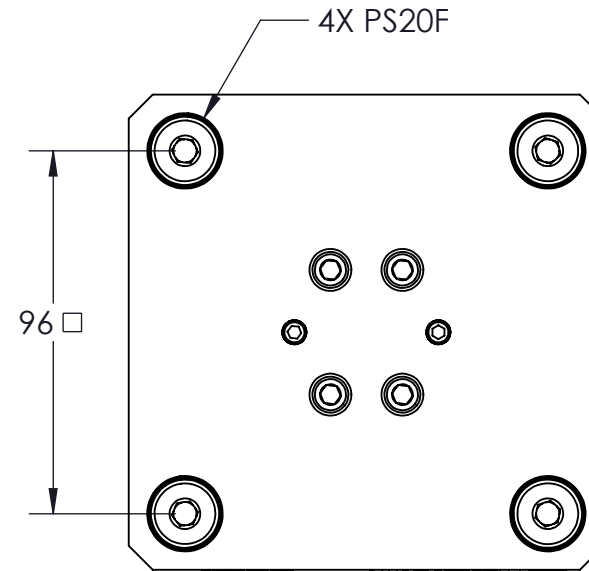
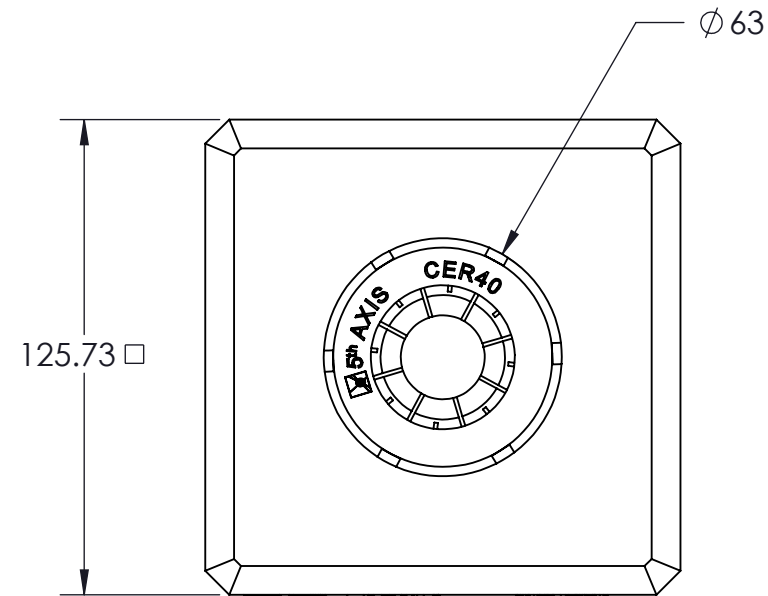




R96-CER40



MILLIMETER DRAWN IN ACCORDANCE WITH ASME Y14.5-2009 PROPRIETARY AND CONFIDENTIAL THE INFORMATION CONTAINED IN THIS DRAWING IS THE SOLE PROPERTY OF FIFTH AXIS, INC. ANY REPRODUCTION IN PART OR AS A WHOLE WITHOUT THE WRITTEN PERMISSION OF FIFTH AXIS, INC. IS PROHIBITED.	TOLERANCES UNLESS OTHERWISE SPECIFIED X ± 1.0 .X ± 0.3 ANGLULAR ± 0.5° .XX ± 0.13	 WWW.FIFTHAXIS.COM 7140 ENGINEER ROAD SAN DIEGO, CA 92111 P (858) 505-0432 F (858) 505-9344		
	THRID ANGLE PROJCTION 		DESCRIPTION ROCKLOCK 96MM CER40 TOP TOOLING	
SIZE B	PART NO. R96-CER40	REV A		
DO NOT SCALE DRAWING		SCALE 1:2	WEIGHT:	SHEET 1 OF 1