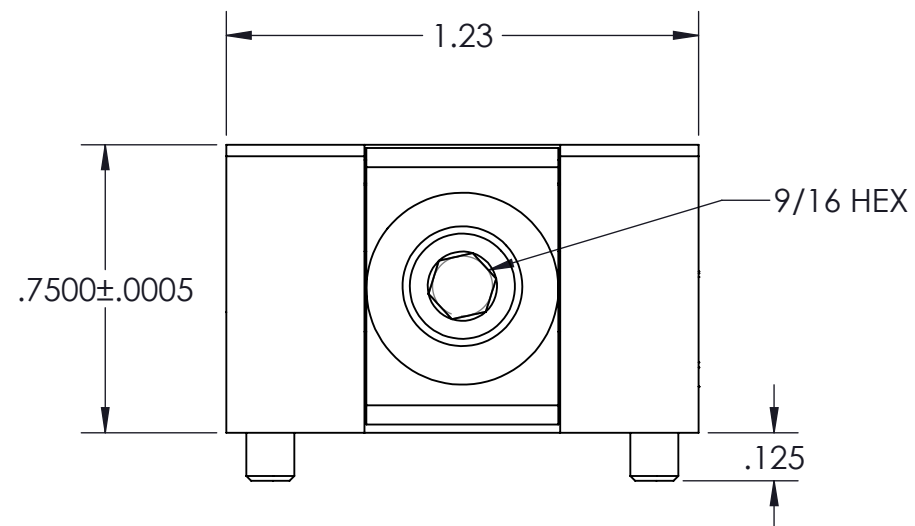
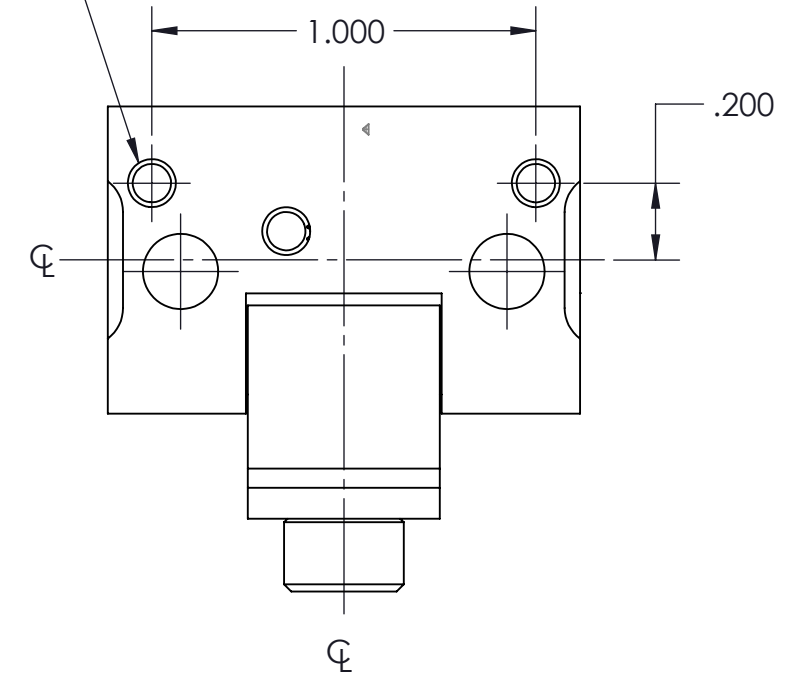
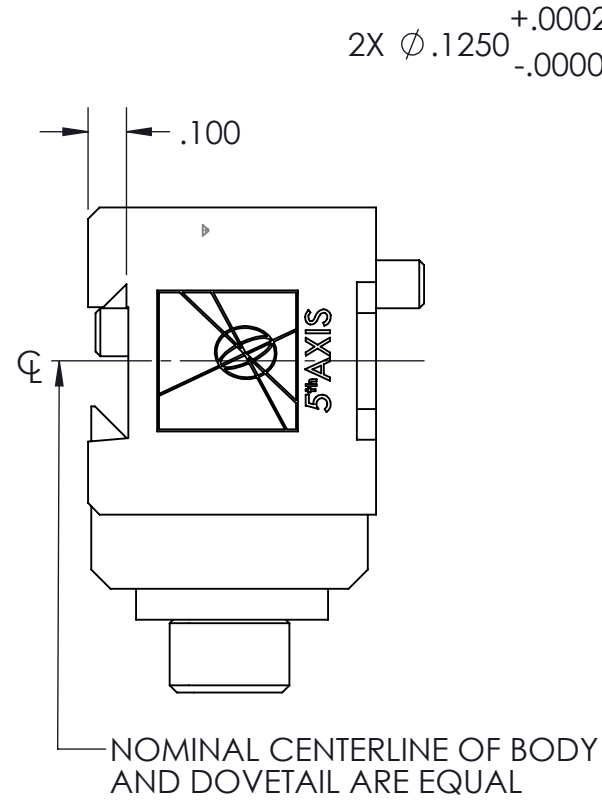
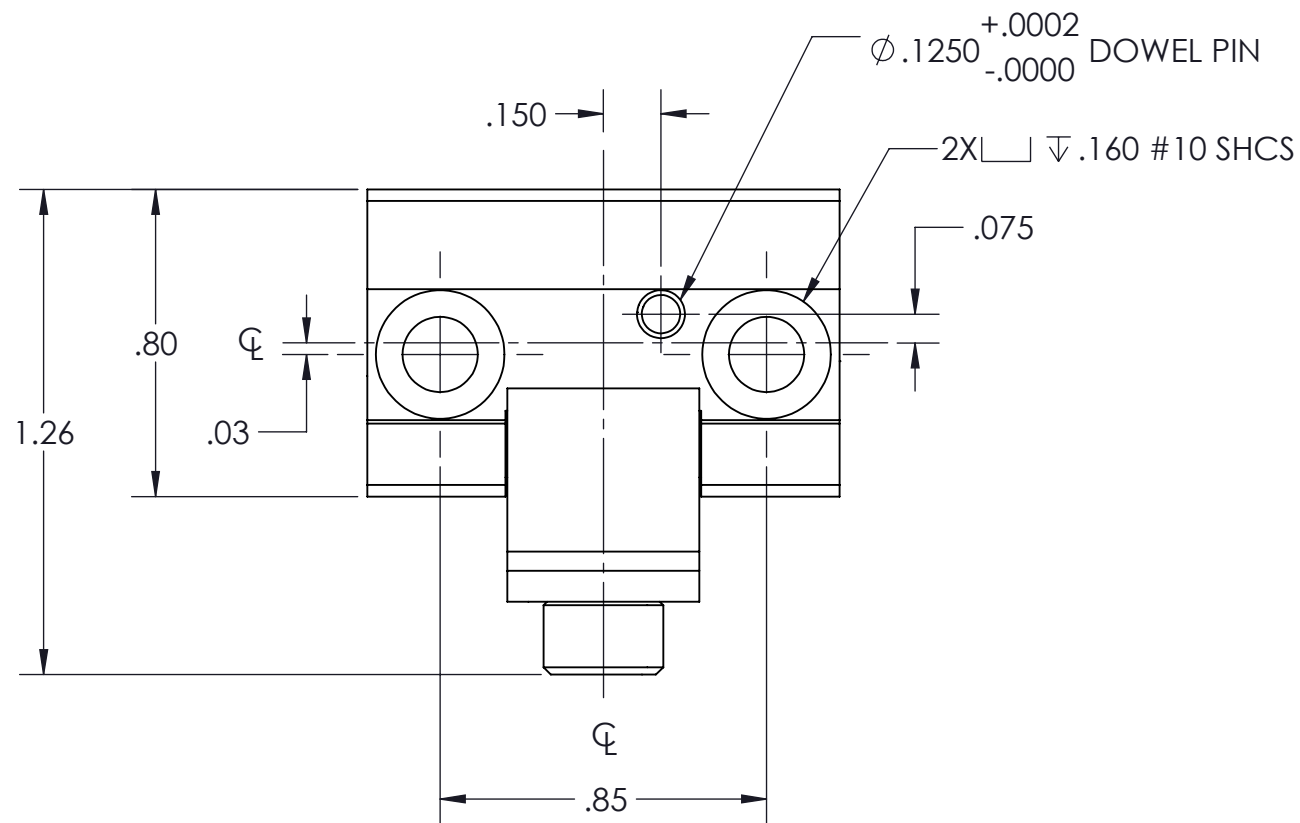
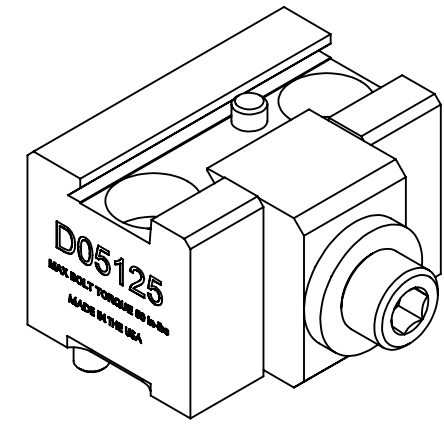


# D05125



<b>INCH</b> <small>DRAWN IN ACCORDANCE WITH ASME Y14.5-2009</small> <b>PROPRIETARY AND CONFIDENTIAL</b>	<b>TOLERANCES</b> <small>UNLESS OTHERWISE SPECIFIED</small>		<small>WWW.FIFTHAXIS.COM</small> <small>7140 ENGINEER ROAD</small> <small>SAN DIEGO, CA 92111</small> <small>P (858) 505-0432 F (858) 505-9344</small>
	<small>X ± 0.1 .XX ± 0.01</small> <small>.X ± 0.05 .XXX ± 0.005</small> <small>ANGULAR ± 0.5°</small>		
<small>THE INFORMATION CONTAINED IN THIS DRAWING IS THE SOLE PROPERTY OF FIFTH AXIS, INC. ANY REPRODUCTION IN PART OR AS A WHOLE WITHOUT THE WRITTEN PERMISSION OF FIFTH AXIS, INC. IS PROHIBITED.</small>	<small>THIRD ANGLE PROJECTION</small> 	<b>DESCRIPTION</b> DOVETAIL FIXTURE, 1/2"	<small>SIZE PART NO.</small> <b>B</b> D05125
<small>DO NOT SCALE DRAWING</small>		<small>SCALE 2:1</small>	<small>WEIGHT: 0.1900 LBS</small>
<small>SHEET 1 OF 1</small>			<small>REV B</small>