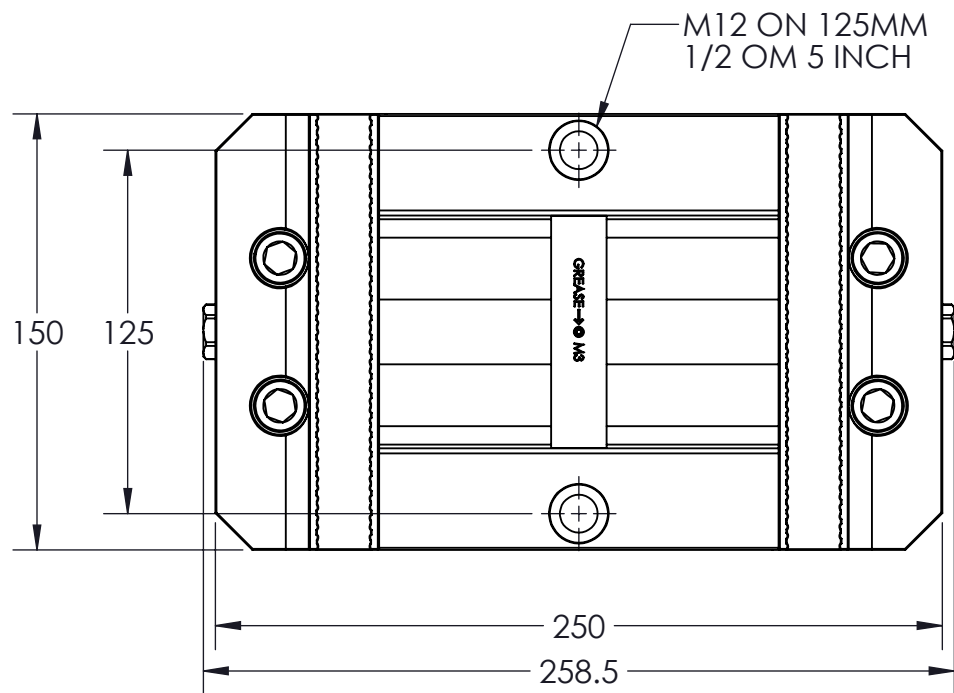
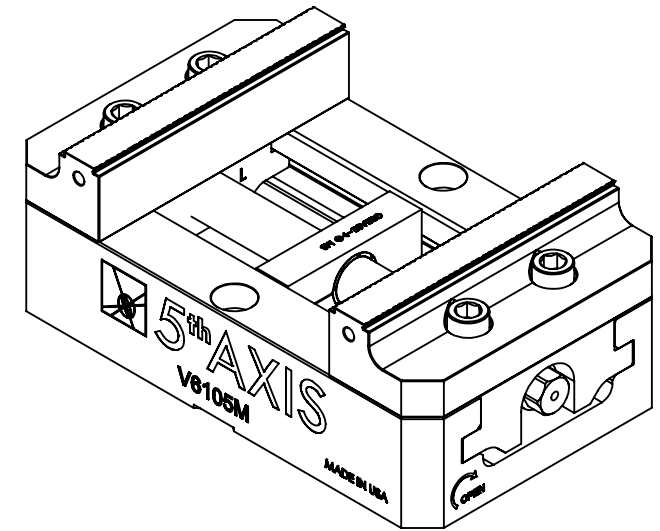
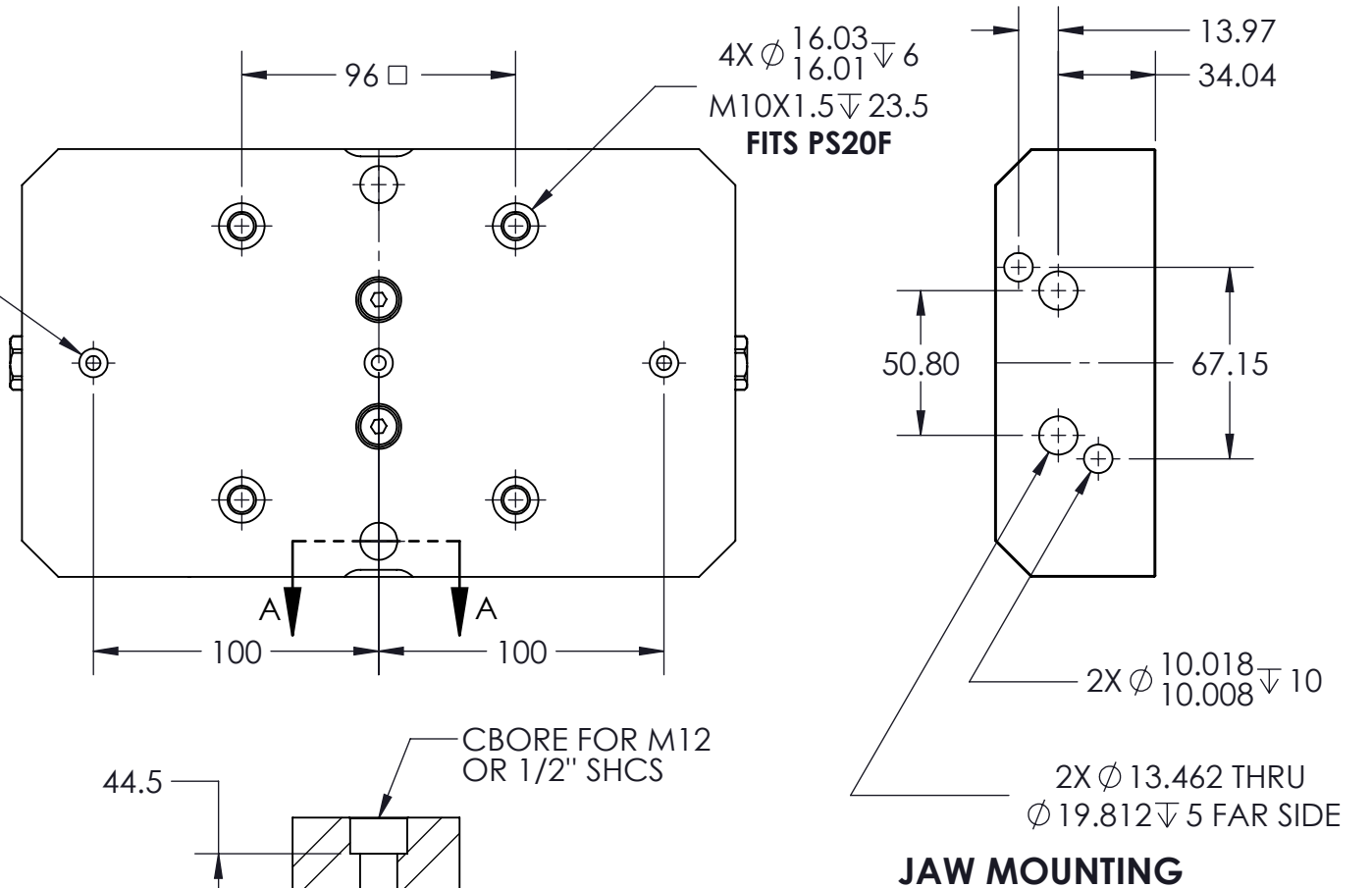


TECHNICAL DATA	V6105M
JAW LENGTH	150MM
CLAMPING FORCE (13.5-81.34NM)	3.11- 16.68 KN
CLAMPING RANGE	250MM
CENTERING ACCURACY	±.013MM

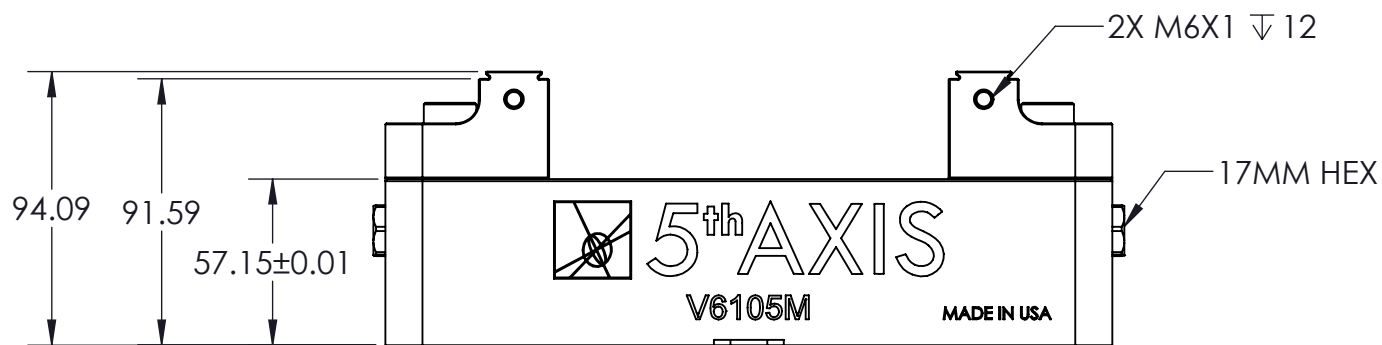
V6105M



3X ϕ 10.018
10.008
M6X1 ∇ 12
FITS LP10



JAW MOUNTING



SECTION A-A
SCALE 1 : 2.6

MILLIMETER TOLERANCES
UNLESS OTHERWISE SPECIFIED

X ± 1.0	ANGULAR ± 0.5°
.X ± 0.3	
.XX ± 0.13	

THIRD ANGLE PROJECTION

THE INFORMATION CONTAINED IN THIS DRAWING IS THE SOLE PROPERTY OF FIFTH AXIS, INC. ANY REPRODUCTION IN PART OR AS A WHOLE WITHOUT THE WRITTEN PERMISSION OF FIFTH AXIS, INC. IS PROHIBITED.

5th AXIS P (858) 505-0432 F (858) 505-9344
WWW.FIFTHAXIS.COM
7140 ENGINEER ROAD
SAN DIEGO, CA 92111

DESCRIPTION
VISE ASSEMBLY, 150mm X 250mm, SELF CENTERING

SIZE PART NO. **B** V6105M

DO NOT SCALE DRAWING SCALE 1:2 WEIGHT: SHEET 1 OF 1