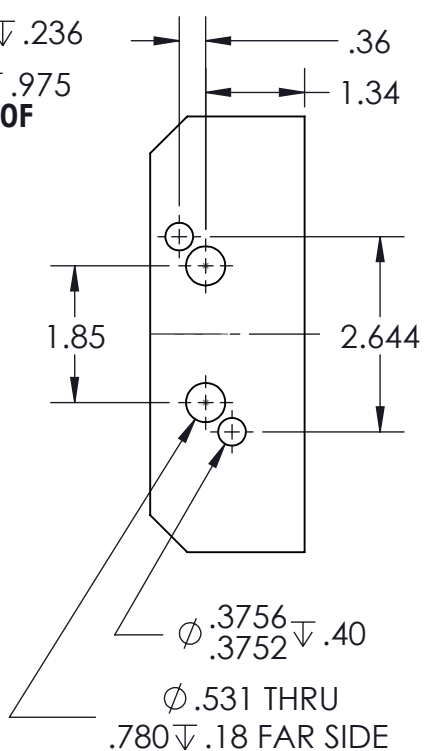
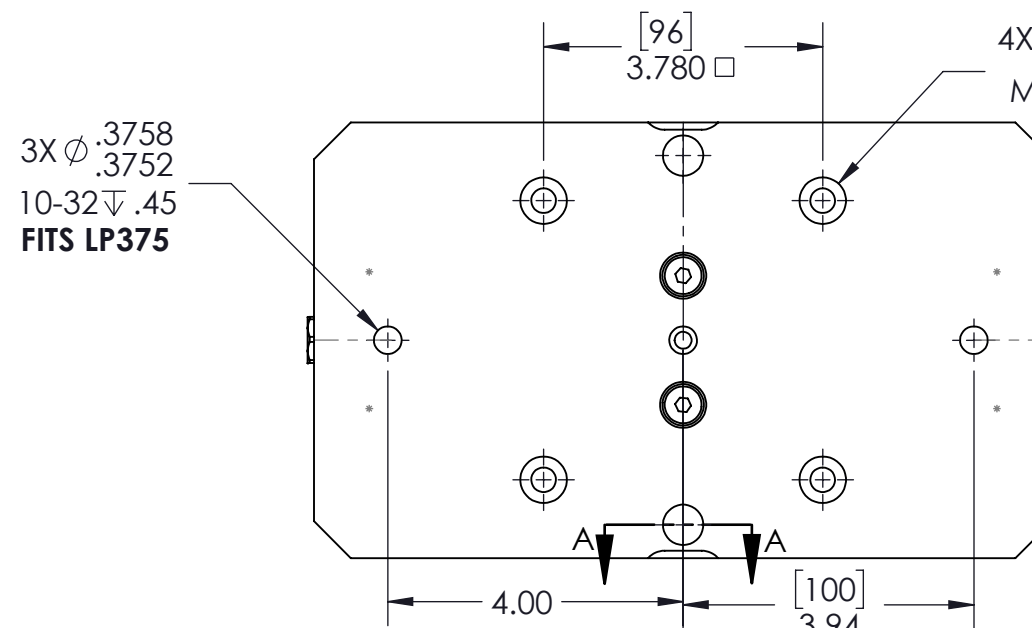
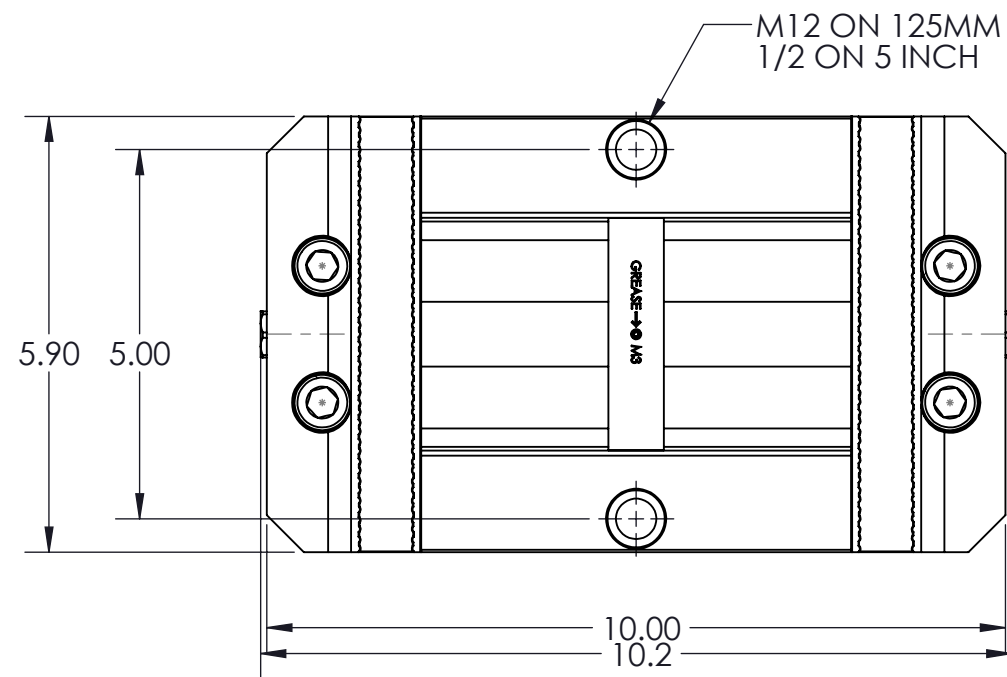
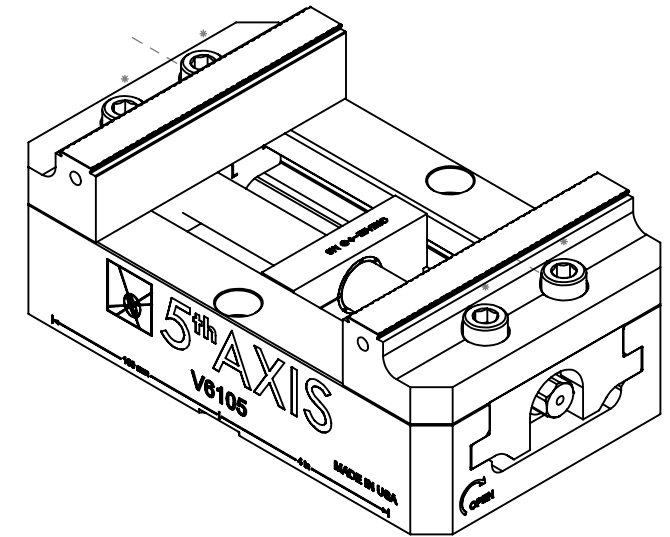
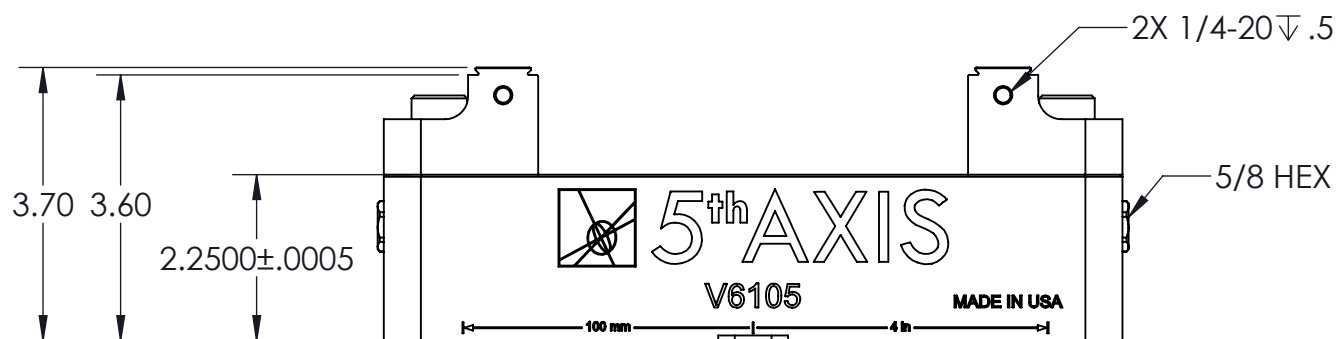
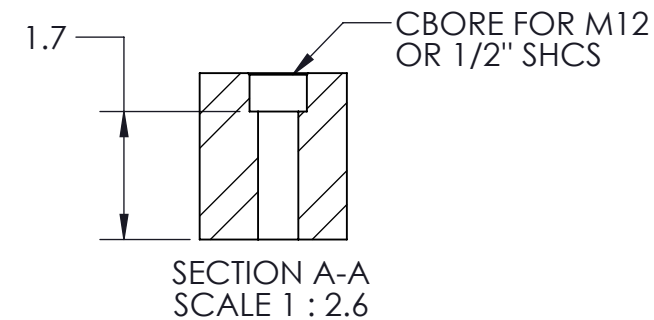


| TECHNICAL DATA                          | V6105       |
|---|-------------|
| JAW LENGTH                              | 6"          |
| CLAMPING FORCE<br>(10-60 FT LBS TORQUE) | 700-4200LBS |
| CLAMPING RANGE                          | 0-10"       |
| CENTERING ACCURACY                      | ±.0005"     |

# V6105



### JAW MOUNTING



|   |   |   |
|---|---|---|
| <b>INCH</b><br>DRAWN IN ACCORDANCE WITH ASME Y14.5-2009<br><b>PROPRIETARY AND CONFIDENTIAL</b><br>THE INFORMATION CONTAINED IN THIS DRAWING IS THE SOLE PROPERTY OF FIFTH AXIS, INC. ANY REPRODUCTION IN PART OR AS A WHOLE WITHOUT THE WRITTEN PERMISSION OF FIFTH AXIS, INC. IS PROHIBITED. | <b>TOLERANCES</b><br>UNLESS OTHERWISE SPECIFIED<br>X ± 0.1 .XX ± 0.01<br>.X ± 0.05 .XXX ± 0.005<br>ANGULAR ± 0.5° | WWW.FIFTHAXIS.COM<br>7140 ENGINEER ROAD<br>SAN DIEGO, CA 92111<br>P (858) 505-0432 F (858) 505-9344 |
|   | THRID ANGLE PROJECTION<br>  |   |
| DESCRIPTION<br><b>5th AXIS</b><br>VISE ASSEMBLY, 6 X 10", SELF CENTERING  |   |   |
| SIZE PART NO.<br><b>B</b> V6105   | WEIGHT:   | REV<br><b>A</b>   |
| DO NOT SCALE DRAWING SCALE 1:2 SHEET 1 OF 1   |   |   |