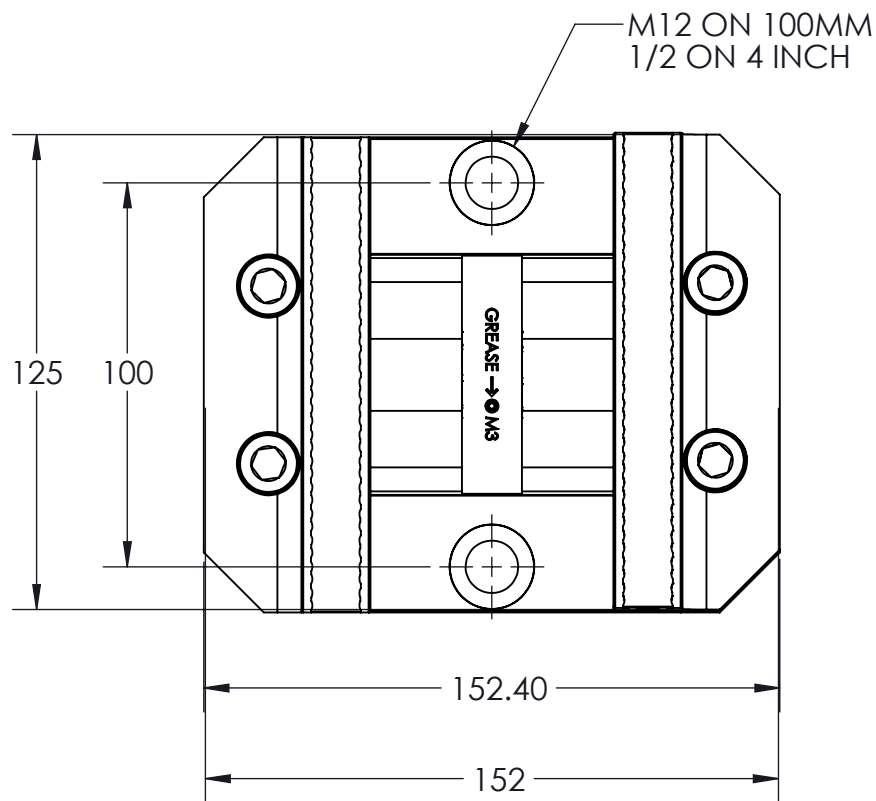
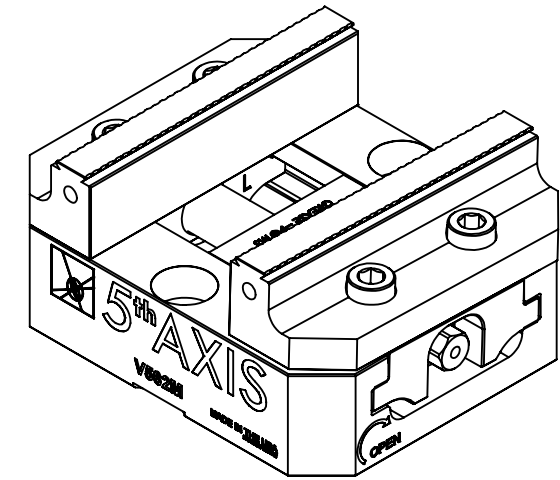
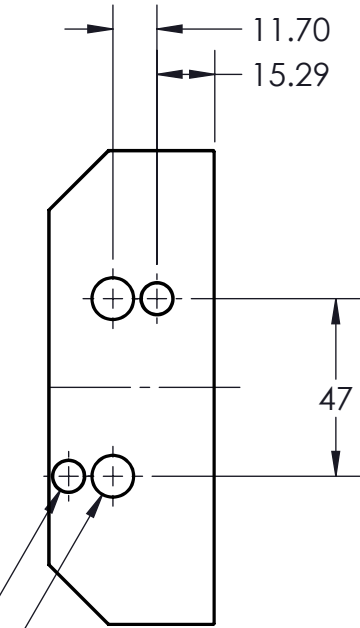
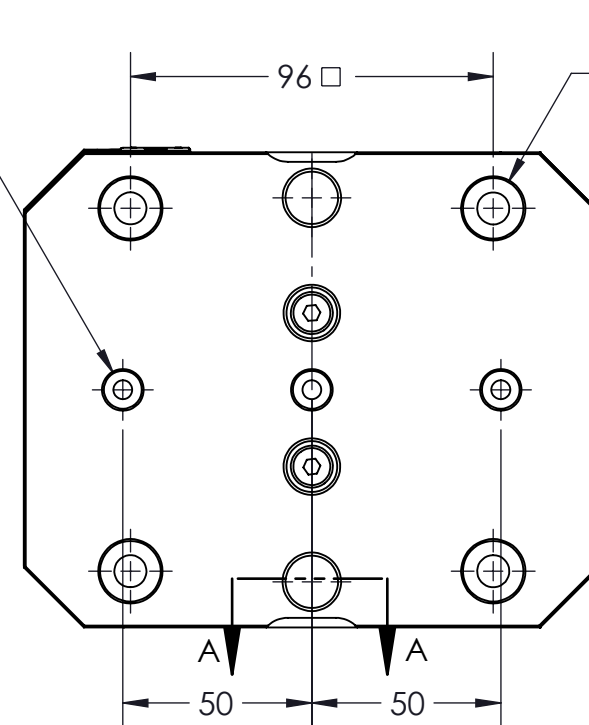


TECHNICAL DATA	V562M
JAW LENGTH	125MM
CLAMPING FORCE 13.5-81.34NM	2.67-17.79 KN
JAW OPENING	150MM
CENTERING ACCURACY	±.013MM

# V562M

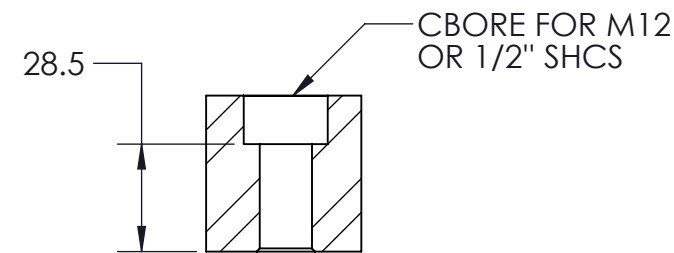


3X  $\square \phi 10.018$   
 $\phi 10.012$   
M6X1  $\nabla 12$   
FITS LP10

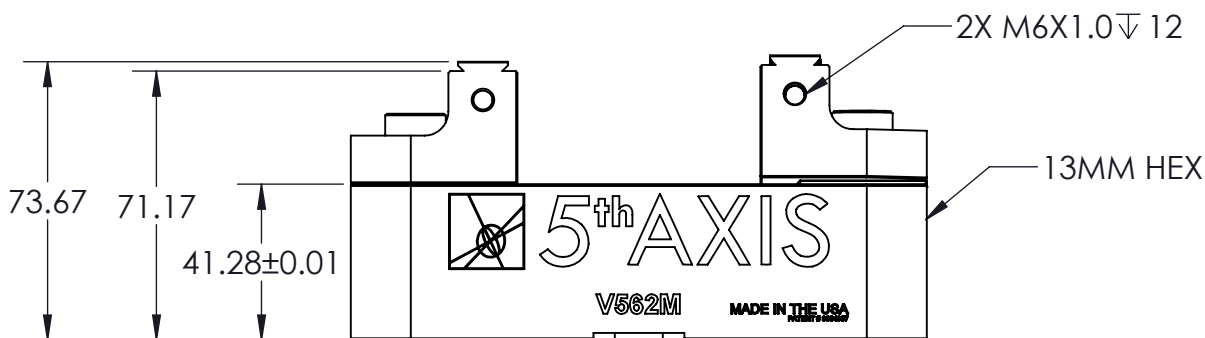


2X  $\phi 10.7 \nabla$  THRU  
 $\phi 16.8 \nabla 4.2$  FAR SIDE  
2X  $\phi 8.029 \nabla 6.9$   
 $\phi 8.016$

## JAW MOUNTING



SECTION A-A



**MILLIMETER TOLERANCES**  
UNLESS OTHERWISE SPECIFIED

DRAWN IN ACCORDANCE WITH ASME Y14.5-2009

PROPRIETARY AND CONFIDENTIAL

THE INFORMATION CONTAINED IN THIS DRAWING IS THE SOLE PROPERTY OF FIFTH AXIS, INC. ANY REPRODUCTION IN PART OR AS A WHOLE WITHOUT THE WRITTEN PERMISSION OF FIFTH AXIS, INC. IS PROHIBITED.

X ± 1.0  
.X ± 0.3 ANGULAR ± 0.5°  
.XX ± 0.13

THIRD ANGLE PROJECTION

WWW.FIFTHAXIS.COM  
7140 ENGINEER ROAD  
SAN DIEGO, CA 92111  
P (858) 505-0432 F (858) 505-9344

**5<sup>th</sup> AXIS**

DESCRIPTION  
VISE ASSEMBLY, 125mm X 150mm, SELF CENTERING

SIZE PART NO. V562M

DO NOT SCALE DRAWING SCALE 1:2 WEIGHT: 13.8928LBS SHEET 1 OF 1