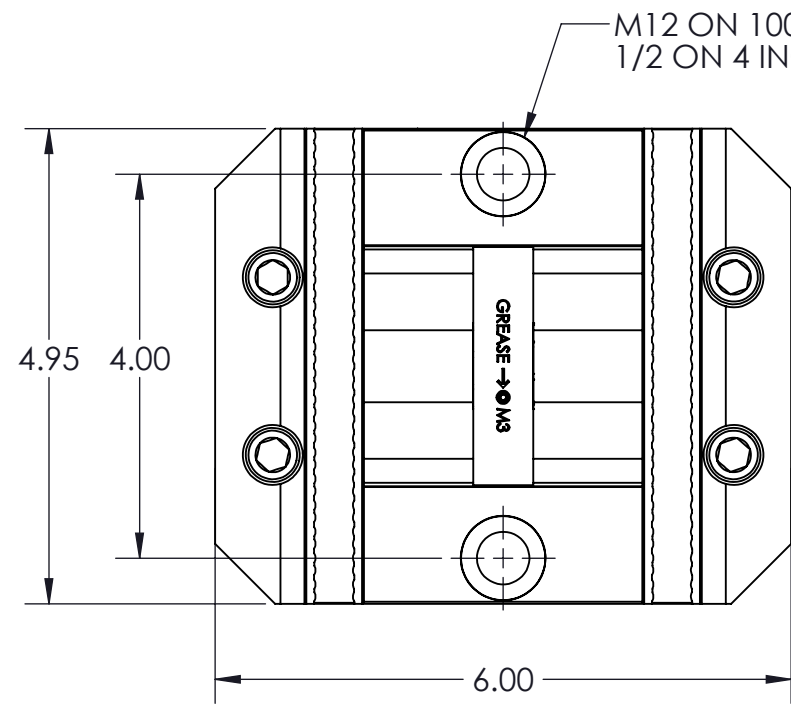
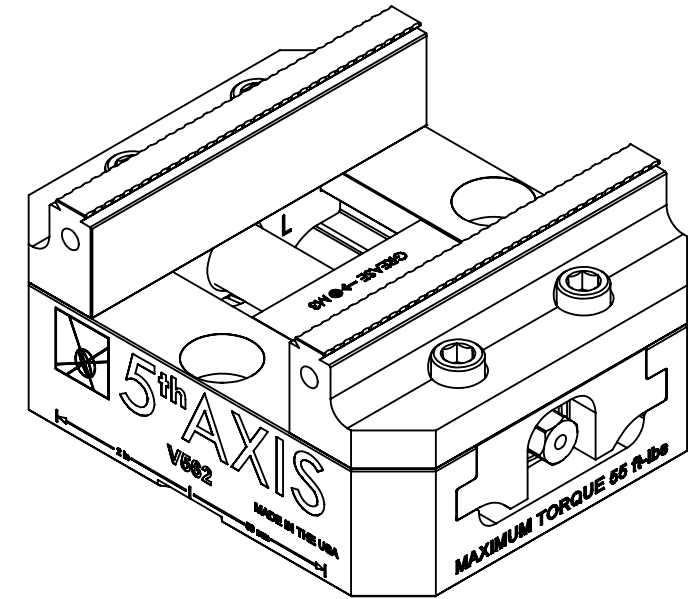


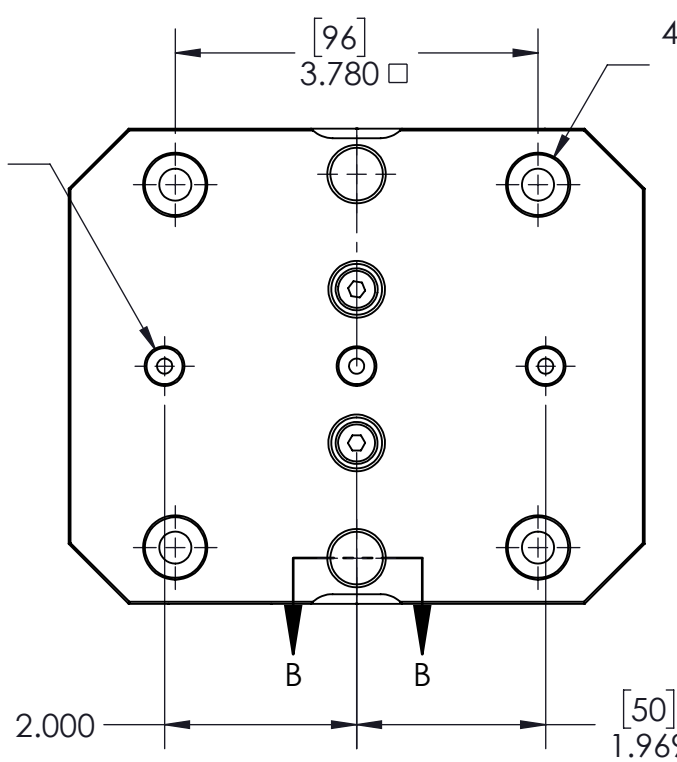
| TECHNICAL DATA | V552 |
|---|--------------|
| JAW LENGTH | 5" |
| CLAMPING FORCE (10-60 FT LBS TORQUE) | 600-4000 LBS |
| CLAMPING RANGE | 0-6" |
| CENTERING ACCURACY | ±.0005" |

V562

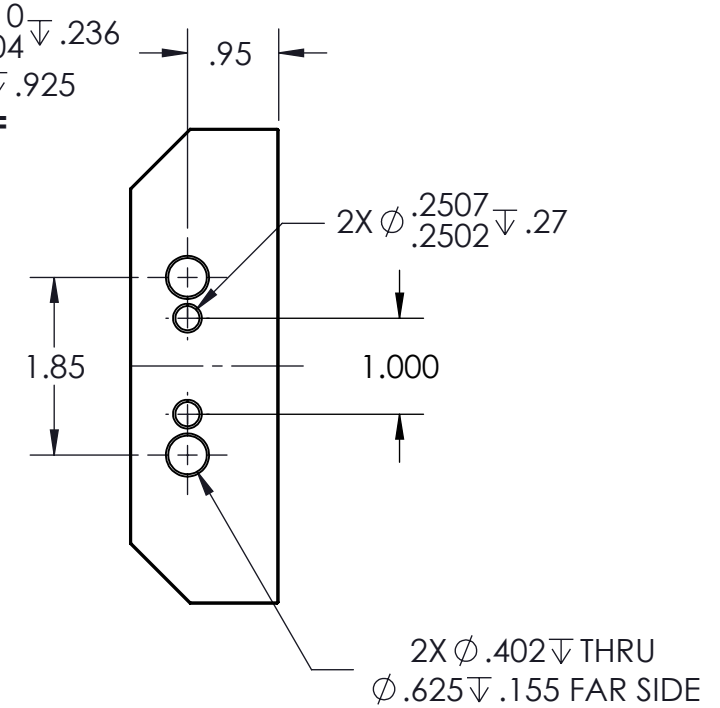


M12 ON 100MM
1/2 ON 4 INCH

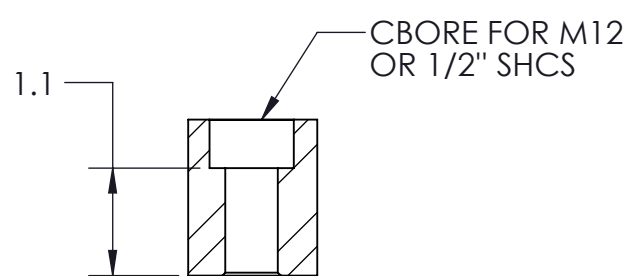
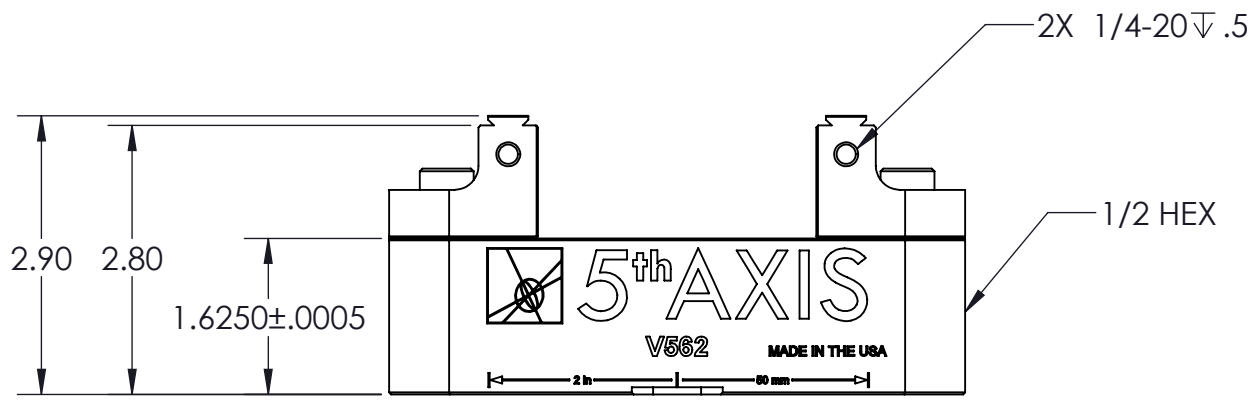
3X $\square \phi .3755 \pm .0003 \nabla .25$
10-32 $\nabla .45$
FITS LP375



4X $\square \phi .6310 \nabla .236$
 $\phi .6304$
M10X1.5 $\nabla .925$
FITS PS20F



JAW MOUNTING



| | |
|---|--|
| INCH | TOLERANCES |
| DRAWN IN ACCORDANCE WITH ASME Y14.5-2009 | UNLESS OTHERWISE SPECIFIED |
| PROPRIETARY AND CONFIDENTIAL | X ± 1.0 .X ± 0.3 ANGULAR ± 0.5° .XX ± 0.13 |
| THE INFORMATION CONTAINED IN THIS DRAWING IS THE SOLE PROPERTY OF FIFTH AXIS, INC. ANY REPRODUCTION IN PART OR AS A WHOLE WITHOUT THE WRITTEN PERMISSION OF FIFTH AXIS, INC. IS PROHIBITED. | THIRD ANGLE PROJECTION |
| | |

| | | |
|----------------------|---|----------------------|
| | WWW.FIFTHAXIS.COM 7140 ENGINEER ROAD SAN DIEGO, CA 92111 P (858) 505-0432 F (858) 505-9344 | |
| | DESCRIPTION VISE ASSEMBLY, 5" X 6", SELF CENTERING | |
| SIZE | PART NO. | REV |
| B | V562 | C |
| DO NOT SCALE DRAWING | SCALE 1:2 | WEIGHT: SHEET 1 OF 1 |