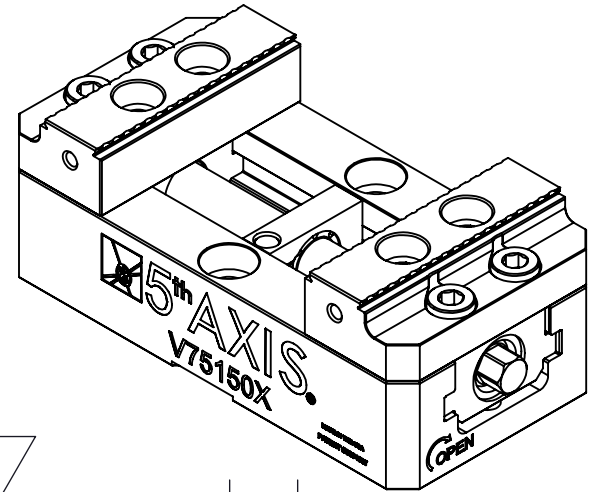


8 7 6 5 4 3 2 1

TECHNICAL DATA	V75100X
JAW LENGTH	75 mm
MAXIMUM CLAMPING FORCE	AT MAX TORQUE OF 60NM, 22.2kN
CLAMPING RANGE STANDARD	0 - 92.8 mm
CLAMPING RANGE REVERSED	38.5 - 128.8 mm
SELF-CENTERING ACCURACY	±.0127 mm

# V75150X



D

D

C

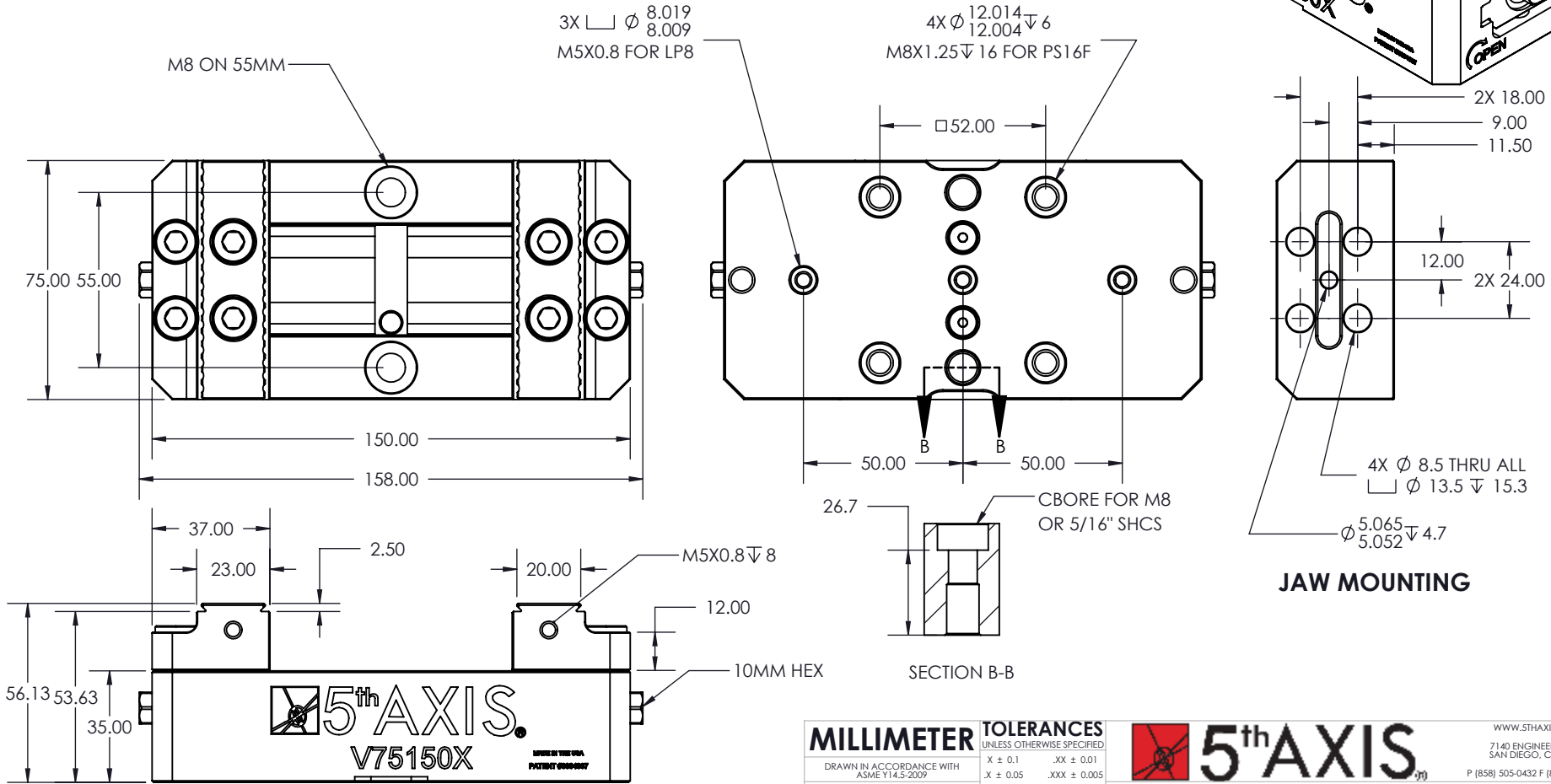
C

B

B

A

A



<b>MILLIMETER</b> <small>DRAWN IN ACCORDANCE WITH ASME Y14.5-2009</small>	<b>TOLERANCES</b> <small>UNLESS OTHERWISE SPECIFIED</small> X ± 0.1    .XX ± 0.01 X ± 0.05    .XXX ± 0.005 ANGULAR ± 0.5°		<small>WWW.5THAXIS.COM</small> 7140 ENGINEER ROAD SAN DIEGO, CA 92111 <small>P (858) 505-0432 F (858) 505-9344</small>
	<b>PROPRIETARY AND CONFIDENTIAL</b> <small>THE INFORMATION CONTAINED IN THIS DRAWING IS THE SOLE PROPERTY OF FIFTH AXIS, INC. ANY REPRODUCTION IN PART OR AS A WHOLE WITHOUT THE WRITTEN PERMISSION OF FIFTH AXIS, INC. IS PROHIBITED.</small>		<small>THIRD ANGLE PROJECTION</small> 
SIZE <b>A</b>	PART NO. <b>V75100X</b>	REV <b>A</b>	<small>DO NOT SCALE DRAWING    SCALE 1:1    WEIGHT: 2.3 KG    SHEET 1 OF 1</small>

8 7 6 5 4 3 2 1