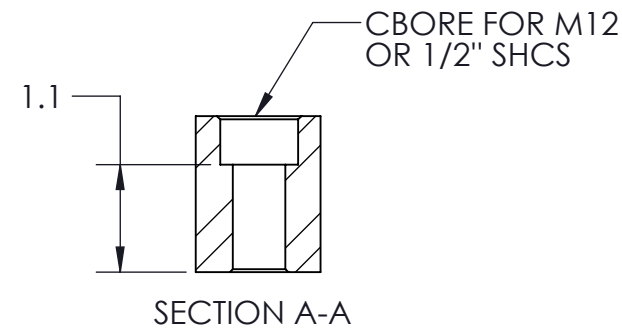
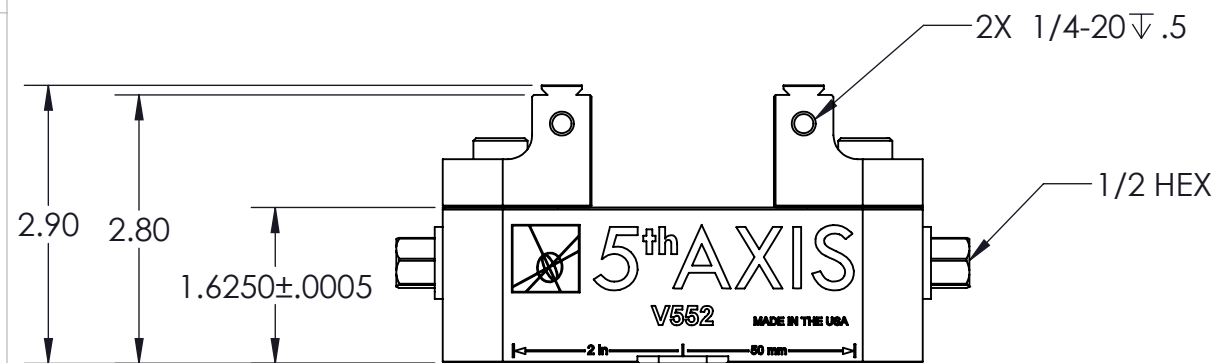
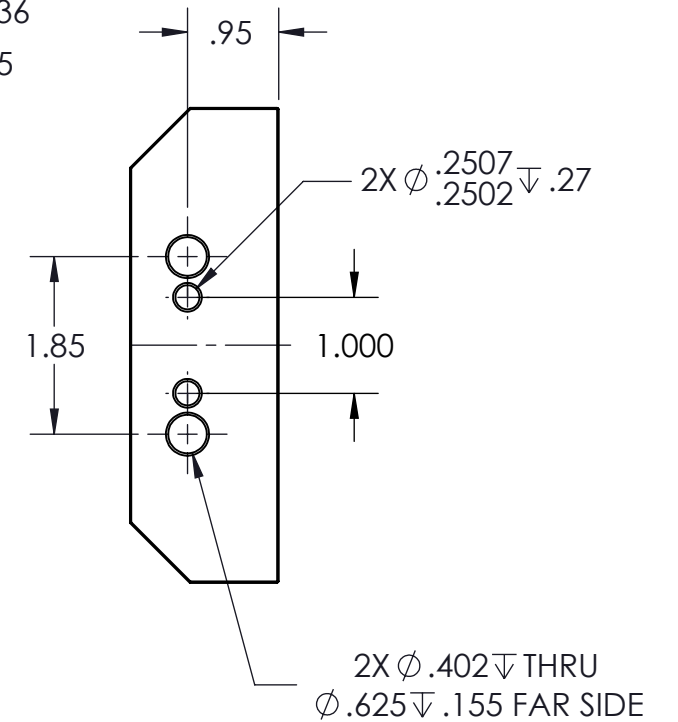
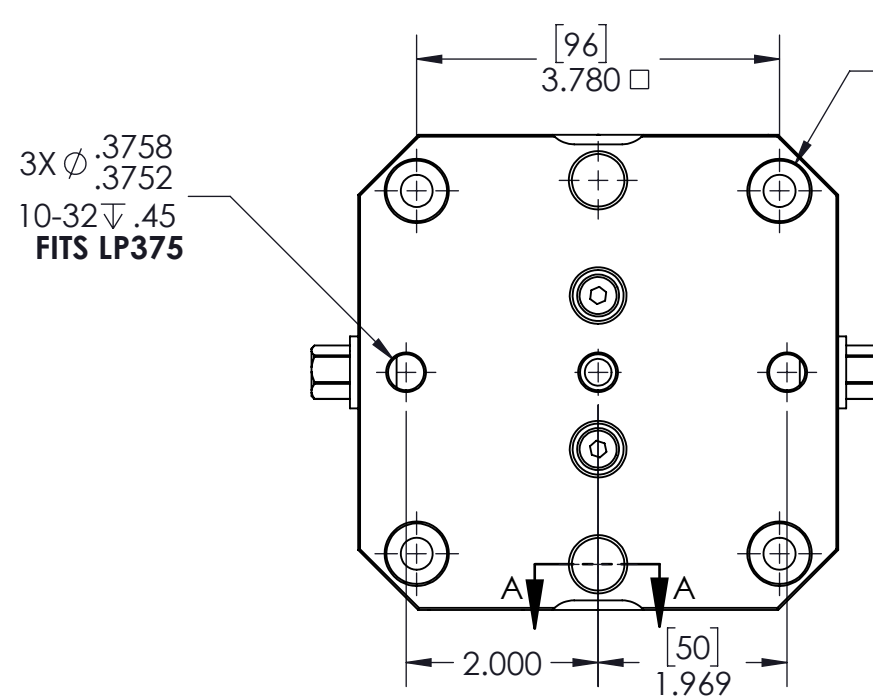
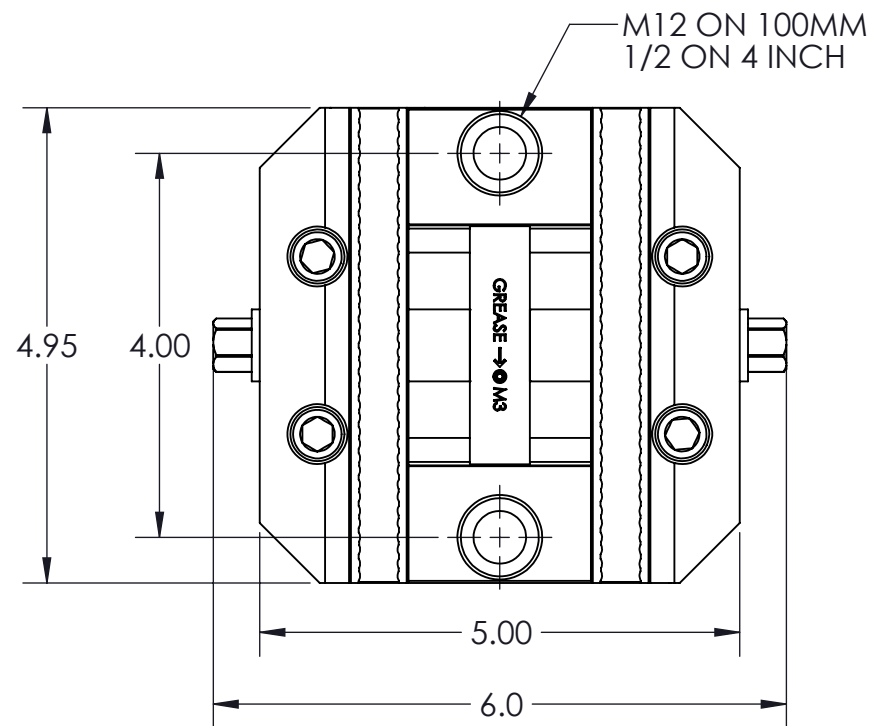
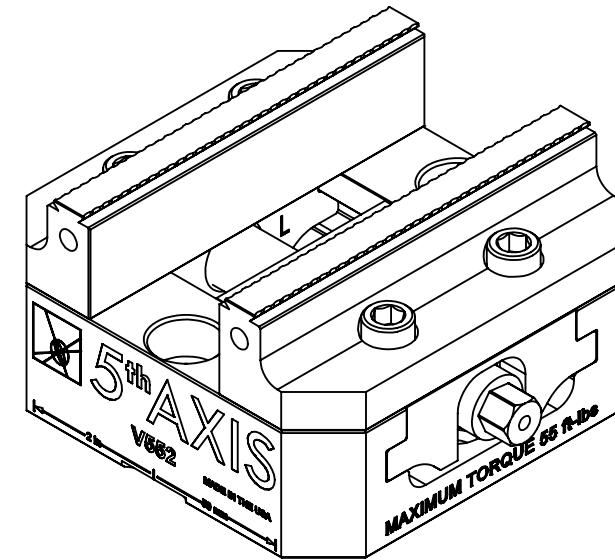


TECHNICAL DATA	V552
JAW LENGTH	5"
CLAMPING FORCE (10-60 FT LBS TORQUE)	600-4000 LBS
CLAMPING RANGE	0-5"
CENTERING ACCURACY	±.0005"

V552



JAW MOUNTING

INCH <small>DRAWN IN ACCORDANCE WITH ASME Y14.5-2009</small> PROPRIETARY AND CONFIDENTIAL <small>THE INFORMATION CONTAINED IN THIS DRAWING IS THE SOLE PROPERTY OF FIFTH AXIS, INC. ANY REPRODUCTION IN PART OR AS A WHOLE WITHOUT THE WRITTEN PERMISSION OF FIFTH AXIS, INC. IS PROHIBITED.</small>	TOLERANCES <small>UNLESS OTHERWISE SPECIFIED</small> X ± 0.1 .XX ± 0.01 .X ± 0.05 .XXX ± 0.005 ANGULAR ± 0.5°		WWW.FIFTHAXIS.COM 7140 ENGINEER ROAD SAN DIEGO, CA 92111 P (858) 505-0432 F (858) 505-9344
	<small>THIRD ANGLE PROJECTION</small> 		DESCRIPTION VISE ASSEMBLY, 5" X 5", SELF CENTERING
SIZE B	PART NO. V552	WEIGHT:	SHEET 1 OF 1