

8 7 6 5 4 3 2 1

MATERIAL: 6061-T6 ALUMINUM

D

D

C

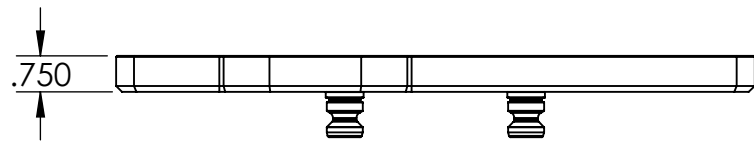
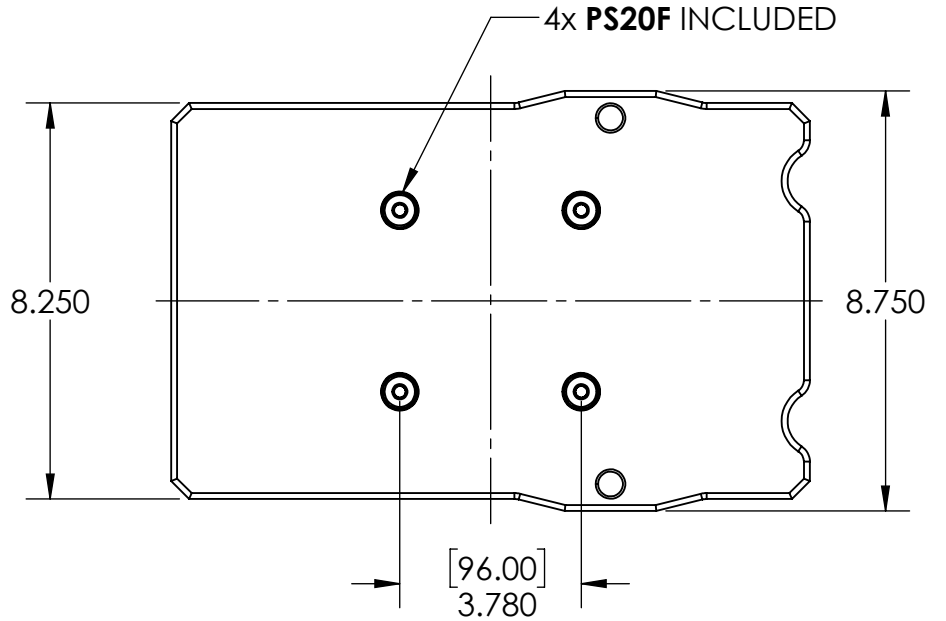
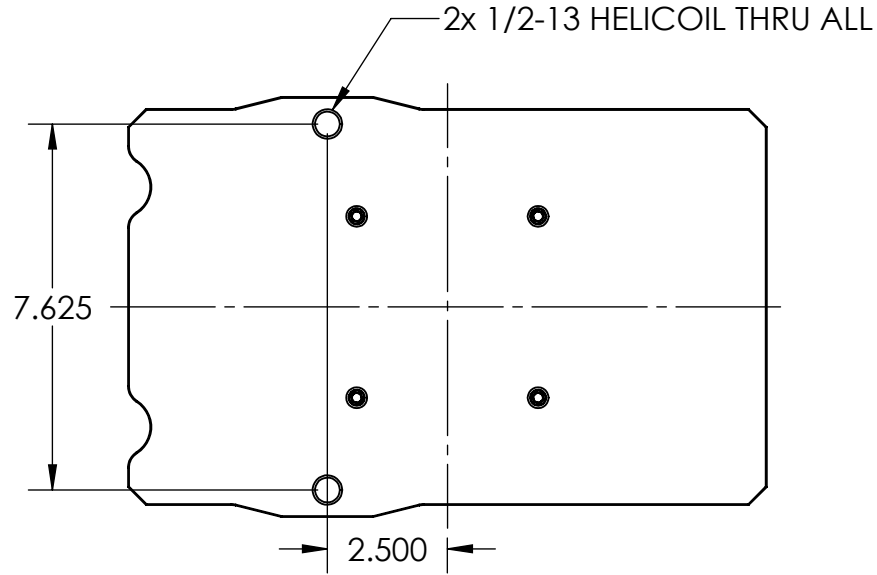
C

B


B

A

A



8 7 6 5 4 3 2 1

INCH <small>DRAWN IN ACCORDANCE WITH ASME Y14.5-2009</small>	TOLERANCES <small>UNLESS OTHERWISE SPECIFIED</small> X ± 0.1 .XX ± 0.01 X ± 0.05 .XXX ± 0.005 ANGULAR ± 0.5°	 <small>WWW.5THAXIS.COM</small> <small>7140 ENGINEER ROAD</small> <small>SAN DIEGO, CA 92111</small> <small>P (858) 505-0432 F (858) 505-9344</small>
	PROPRIETARY AND CONFIDENTIAL <small>THE INFORMATION CONTAINED IN THIS DRAWING IS THE SOLE PROPERTY OF FIFTH AXIS, INC. ANY REPRODUCTION IN PART OR AS A WHOLE WITHOUT THE WRITTEN PERMISSION OF FIFTH AXIS, INC. IS PROHIBITED.</small>	
DESCRIPTION RockLock 96mm Adapter Plate, Kurt Vise D688		<small>SIZE</small> A
<small>PART NO.</small> RL96-KD688		<small>REV</small> A
<small>DO NOT SCALE DRAWING</small>		<small>SCALE</small> 1:1
<small>WEIGHT</small> : 9LB		<small>SHEET</small> 1 OF 1

8

7

6

5

4

3

2

1

D

D

C

C

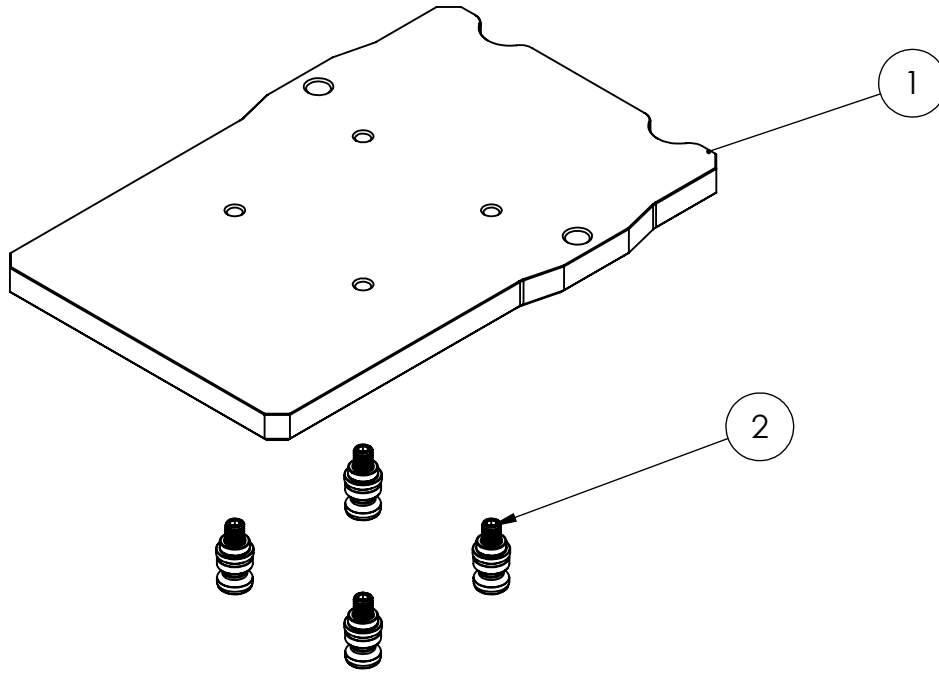
B


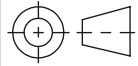
B

A

A

ITEM NO.	PART NUMBER	DESCRIPTION	QTY.
1	AKD688-RL96	ALUMINUM ADAPTER	1
2	PS20F	PULL STUD	4



INCH <small>DRAWN IN ACCORDANCE WITH ASME Y14.5-2009</small>	TOLERANCES <small>UNLESS OTHERWISE SPECIFIED</small> X ± 0.1 .XX ± 0.01 X ± 0.05 .XXX ± 0.005 ANGULAR ± 0.5°	 <small>WWW.5THAXIS.COM 7140 ENGINEER ROAD SAN DIEGO, CA 92111 P (858) 505-0432 F (858) 505-9344</small>
	THIRD ANGLE PROJECTION 	
PROPRIETARY AND CONFIDENTIAL <small>THE INFORMATION CONTAINED IN THIS DRAWING IS THE SOLE PROPERTY OF FIFTH AXIS, INC. ANY REPRODUCTION IN PART OR AS A WHOLE WITHOUT THE WRITTEN PERMISSION OF FIFTH AXIS, INC. IS PROHIBITED.</small>	DESCRIPTION RockLock 96mm Adapter Plate, Kurt Vise D688	SIZE A
	PART NO. RL96-KD688	REV A
	<small>DO NOT SCALE DRAWING</small>	<small>SCALE 1:1</small>
	<small>WEIGHT: 9LB</small>	<small>SHEET 1 OF 1</small>

8

7

6

5

4

3

2

1