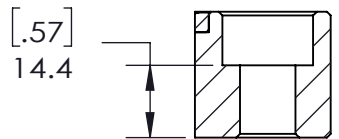
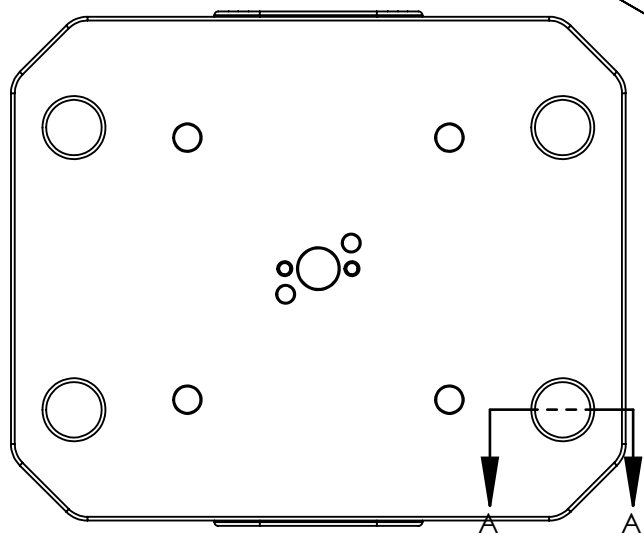
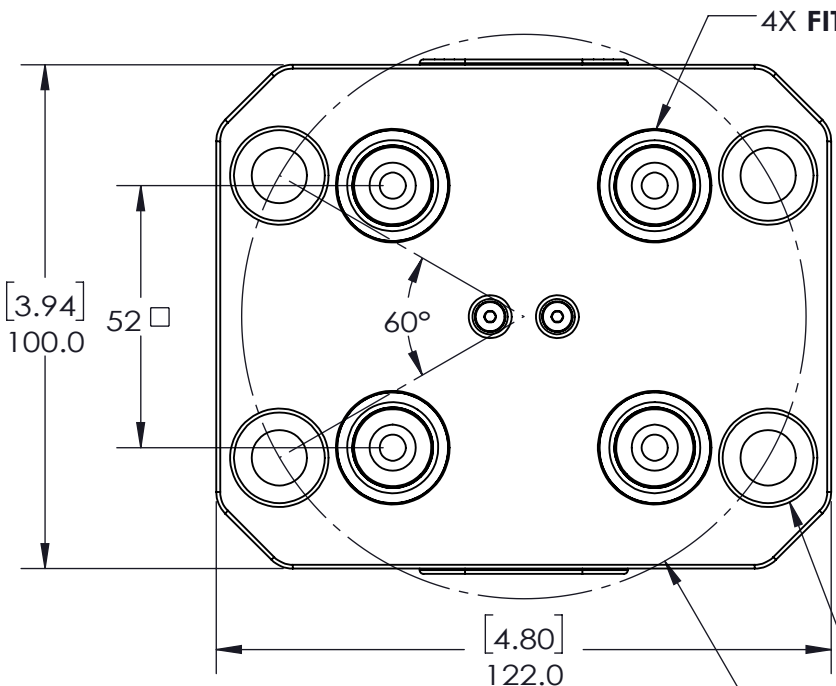
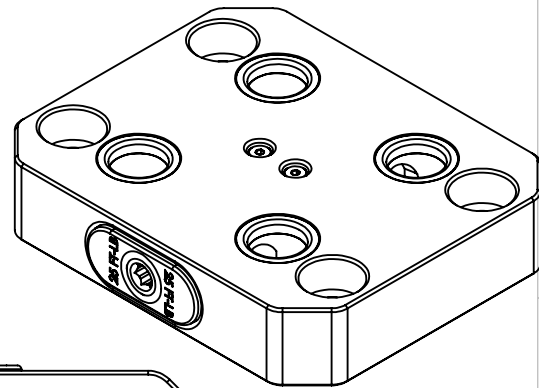


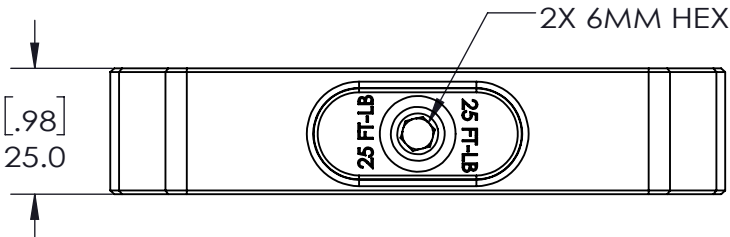
8 7 6 5 4 3 2 1

MATERIAL
 RL52A-44: 6061 ALUMINUM BODY
 RL52S-44: 1018 STEEL BODY

RL52A-4560 RL52S-4560



SECTION A-A
 SCALE 1 : 1.5



MILLIMETER	TOLERANCES UNLESS OTHERWISE SPECIFIED
DRAWN IN ACCORDANCE WITH ASME Y14.5-2009	X ± 0.1 .XX ± 0.01 X ± 0.05 .XXX ± 0.005
PROPRIETARY AND CONFIDENTIAL	ANGULAR ± 0.5°
THE INFORMATION CONTAINED IN THIS DRAWING IS THE SOLE PROPERTY OF FIFTH AXIS, INC. ANY REPRODUCTION IN PART OR AS A WHOLE WITHOUT THE WRITTEN PERMISSION OF FIFTH AXIS, INC. IS PROHIBITED.	THIRD ANGLE PROJECTION

5thAXIS
 WWW.5THAXIS.COM
 7140 ENGINEER ROAD
 SAN DIEGO, CA 92111
 P (858) 505-0432 F (858) 505-9344

DESCRIPTION	ROCKLOCK 52MM LOW PROFILE BASE
SIZE	A
PART NO.	RL52A-44 & RL52S-44
DO NOT SCALE DRAWING	SCALE 1:1
WEIGHT	2LBS & 4LBS
SHEET	1 OF 1

8 7 6 5 4 3 2 1