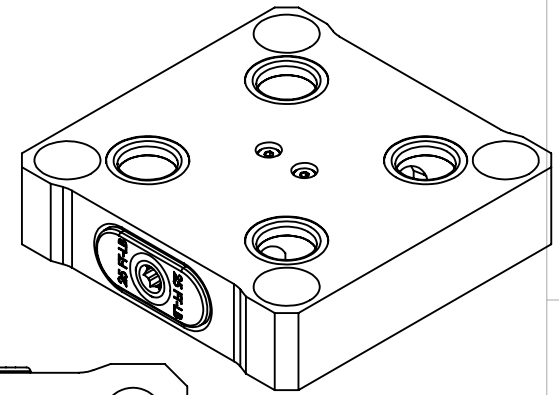


8 7 6 5 4 3 2 1

MATERIAL
 RL52A-44: 6061 ALUMINUM BODY
 RL52S-44: 1018 STEEL BODY

RL52A-44 RL52S-44



D

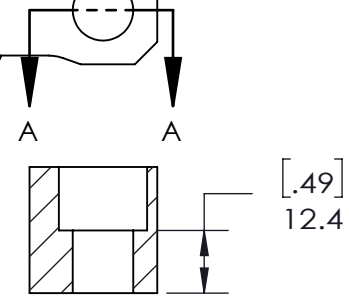
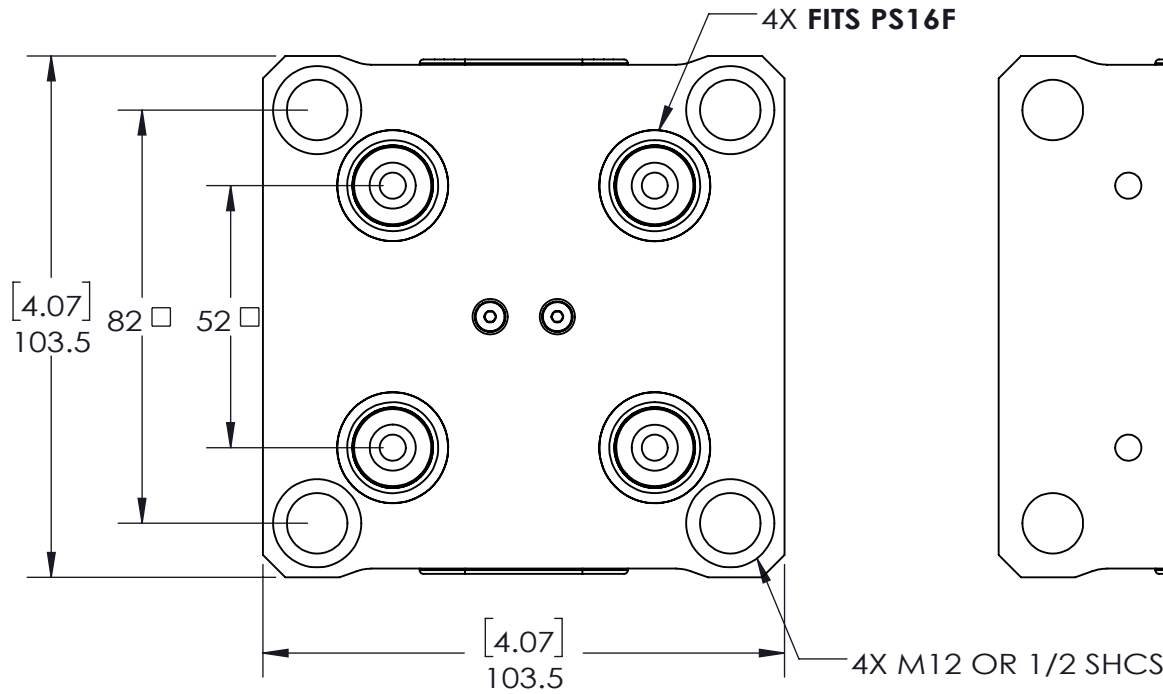
D

C

C

B

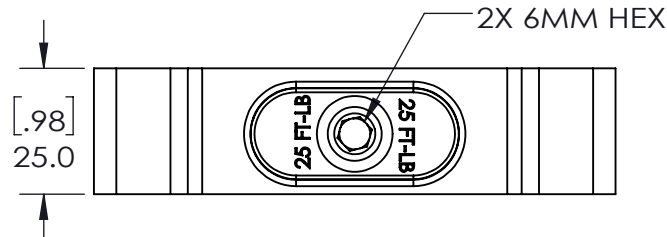
B



SECTION A-A
SCALE 1 : 1.5

A

A



MILLIMETER	TOLERANCES	
	UNLESS OTHERWISE SPECIFIED	
DRAWN IN ACCORDANCE WITH ASME Y14.5-2009	X ± 0.1	.XX ± 0.01
PROPRIETARY AND CONFIDENTIAL	X ± 0.05	.XXX ± 0.005
	ANGULAR ± 0.5°	
THE INFORMATION CONTAINED IN THIS DRAWING IS THE SOLE PROPERTY OF FIFTH AXIS, INC. ANY REPRODUCTION IN PART OR AS A WHOLE WITHOUT THE WRITTEN PERMISSION OF FIFTH AXIS, INC. IS PROHIBITED.	THIRD ANGLE PROJECTION	

5th AXIS
www.5thaxis.com
 7140 ENGINEER ROAD
 SAN DIEGO, CA 92111
 P (858) 505-0432 F (858) 505-9344

DESCRIPTION	ROCKLOCK 52MM LOW PROFILE BASE		
SIZE	PART NO. RL52A-44 & RL52S-44		
DO NOT SCALE DRAWING.	SCALE 1:1	WEIGHT: 2LBS & 4LBS	SHEET 1 OF 1

8 7 6 5 4 3 2 1