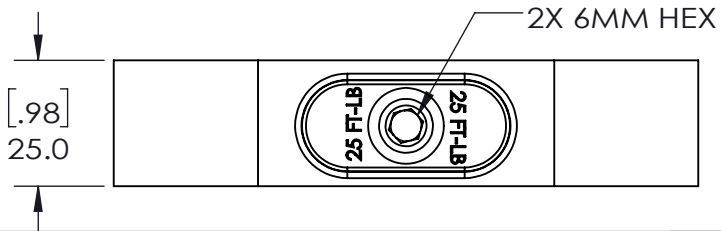
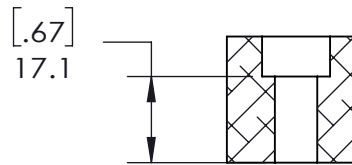
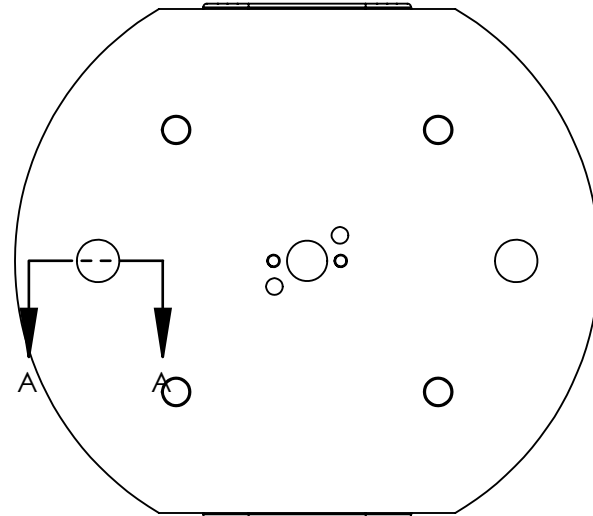
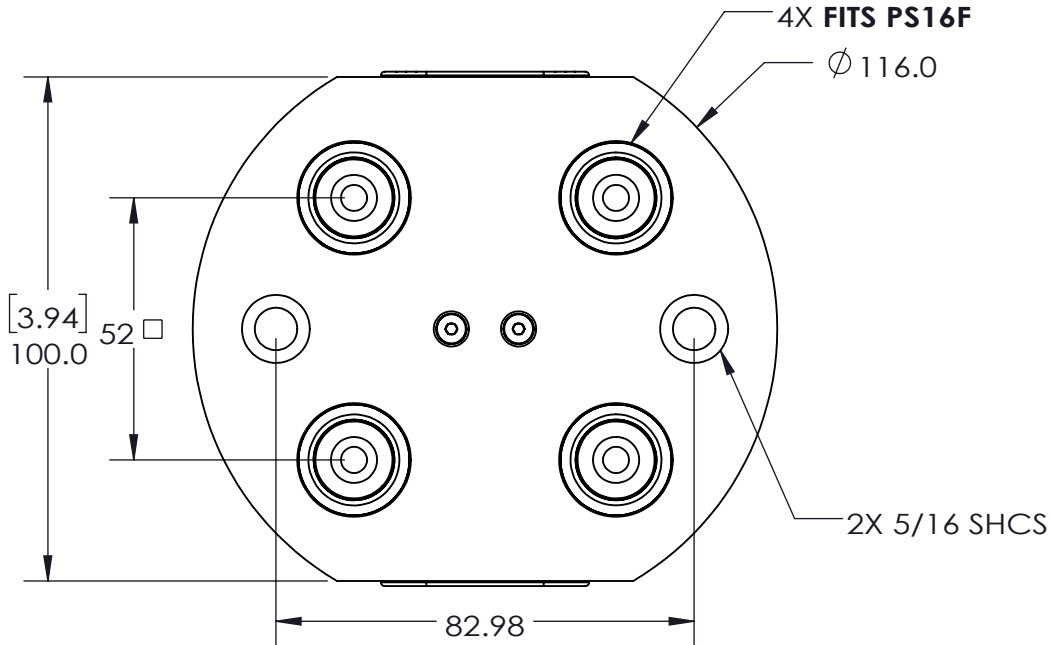
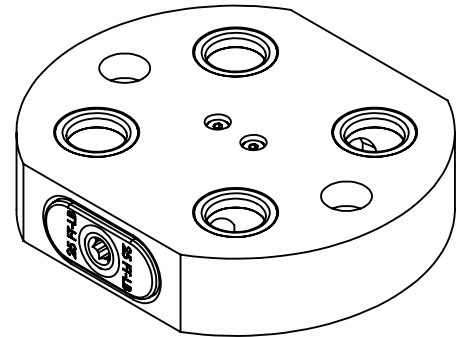


8 7 6 5 4 3 2 1

MATERIAL
 RL52A-4-TRT100: 6061 ALUMINUM BODY
 RL52S-4-TRT100: 1018 STEEL BODY

RL52A-4-TRT100

RL52S-4-TRT100



SECTION A-A
 SCALE 1 : 1.5

MILLIMETER TOLERANCES <small>UNLESS OTHERWISE SPECIFIED</small> X ± 0.1 .XX ± 0.01 X ± 0.05 .XXX ± 0.005 ANGULAR ± 0.5° THIRD ANGLE PROJECTION	

	<small>WWW.5THAXIS.COM</small> <small>7140 ENGINEER ROAD</small> <small>SAN DIEGO, CA 92111</small> <small>P (858) 505-0432 F (858) 505-9344</small>
	DESCRIPTION ROCKLOCK 52MM LOW PROFILE BASE
SIZE A PART NO. RL52A-4-TRT100 & RL52S-4-TRT100	<small>DO NOT SCALE DRAWING. SCALE 1:1 WEIGHT: 2LBS & 4LBS SHEET 1 OF 1</small>

8 7 6 5 4 3 2 1