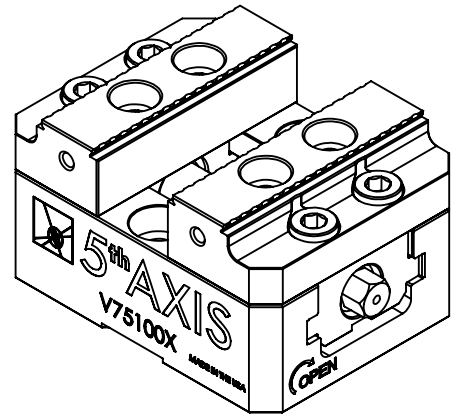


TECHNICAL DATA	V75100X
JAW LENGTH	75 mm
MAXIMUM CLAMPING FORCE	AT MAX TORQUE OF 60NM, 22.2kN
CLAMPING RANGE STANDARD	0 - 40.3 mm
CLAMPING RANGE REVERSED	38.5 - 76.3 mm
SELF-CENTERING ACCURACY	±.0127 mm

# V75100X



D

D

C

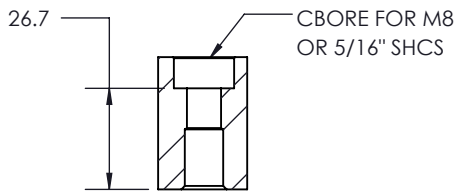
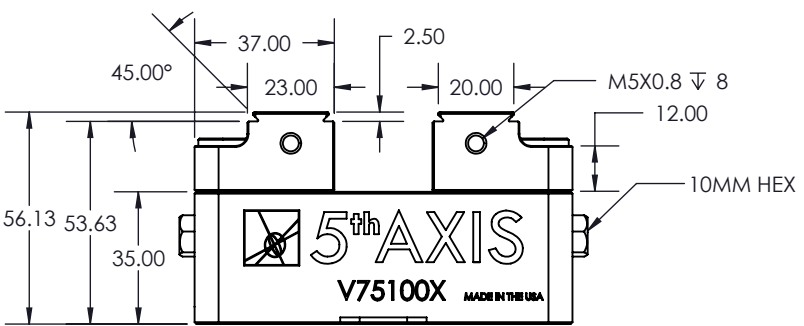
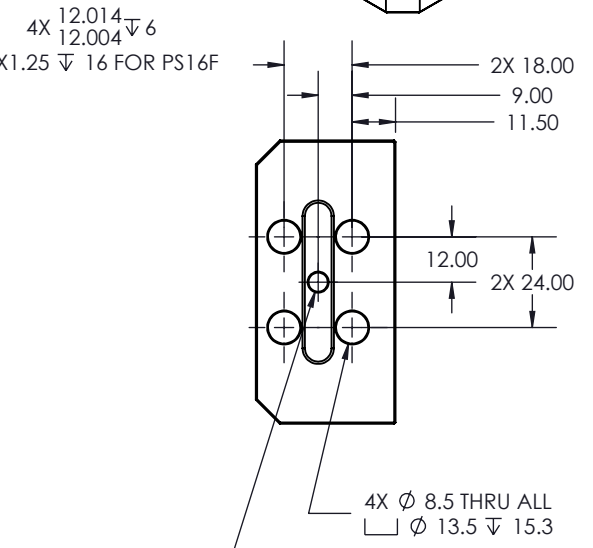
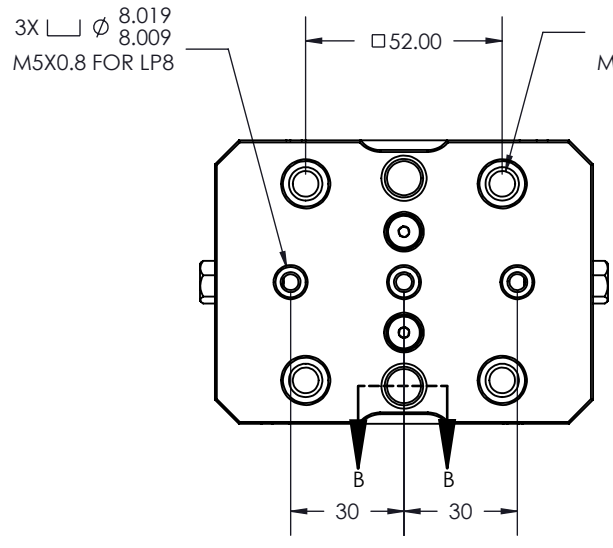
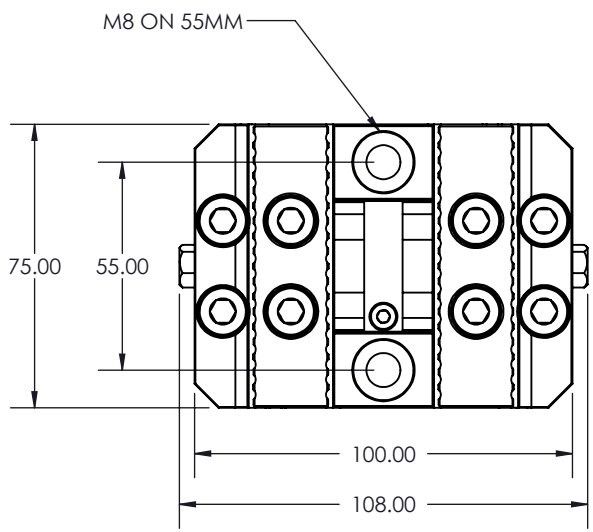
C

B

B

A

A



### JAW MOUNTING

<b>MILLIMETER TOLERANCES</b> <small>UNLESS OTHERWISE SPECIFIED</small> X ± 0.1    .XX ± 0.01 X ± 0.05    .XXX ± 0.005 ANGULAR ± 0.5° THIRD ANGLE PROJECTION			WWW.5THAXIS.COM 7140 ENGINEER ROAD SAN DIEGO, CA 92111 P (858) 505-0432 F (858) 505-9344
DRAWN IN ACCORDANCE WITH ASME Y14.5-2009 <b>PROPRIETARY AND CONFIDENTIAL</b> THE INFORMATION CONTAINED IN THIS DRAWING IS THE SOLE PROPERTY OF FIFTH AXIS, INC. ANY REPRODUCTION IN PART OR AS A WHOLE WITHOUT THE WRITTEN PERMISSION OF FIFTH AXIS, INC. IS PROHIBITED.			DESCRIPTION <b>WISE, 75MM X 100MM, SELF-CENTERING</b>
SIZE <b>A</b>	PART NO. <b>V75100X</b>	REV <b>A</b>	DO NOT SCALE DRAWING    SCALE 1:1    WEIGHT: 2.3 KG    SHEET 1 OF 1