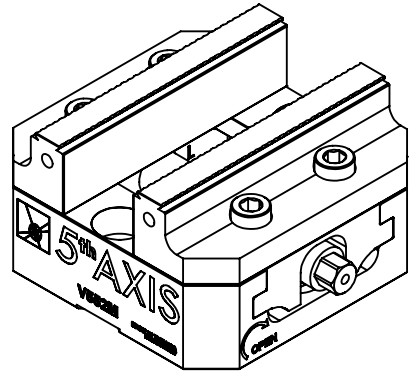


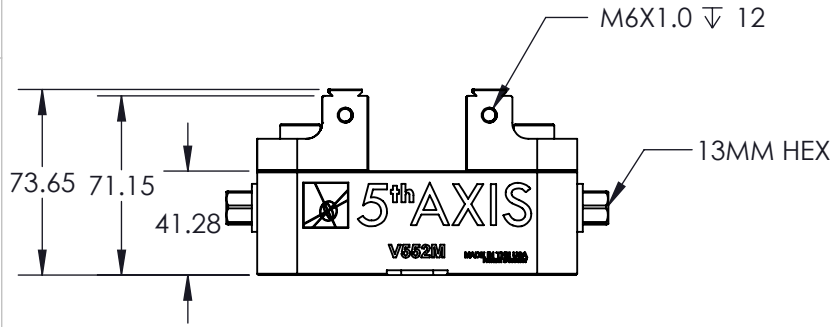
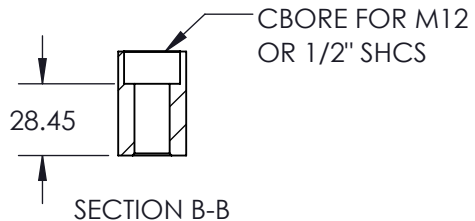
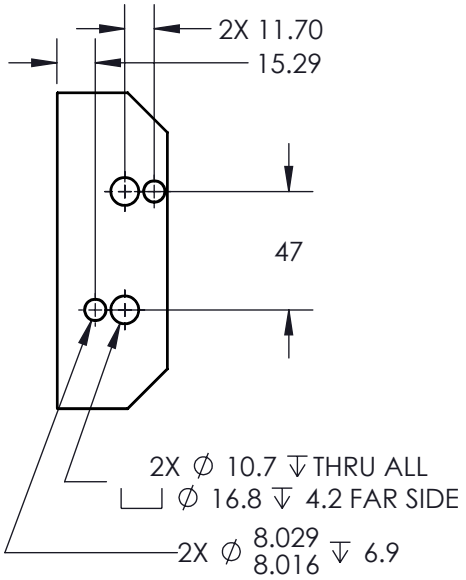
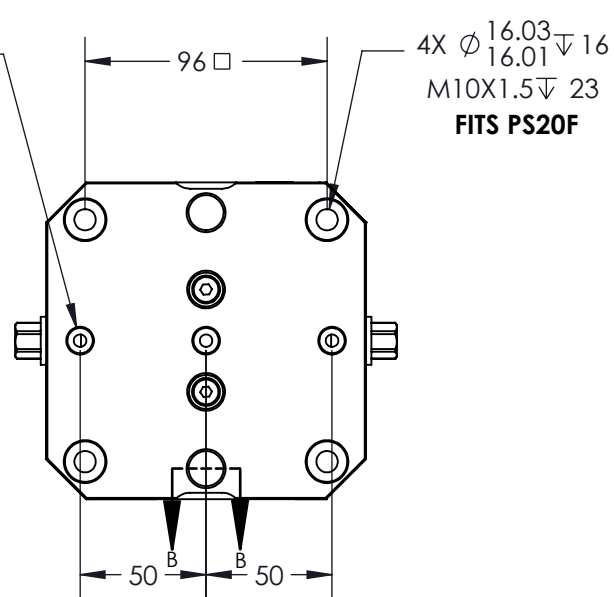
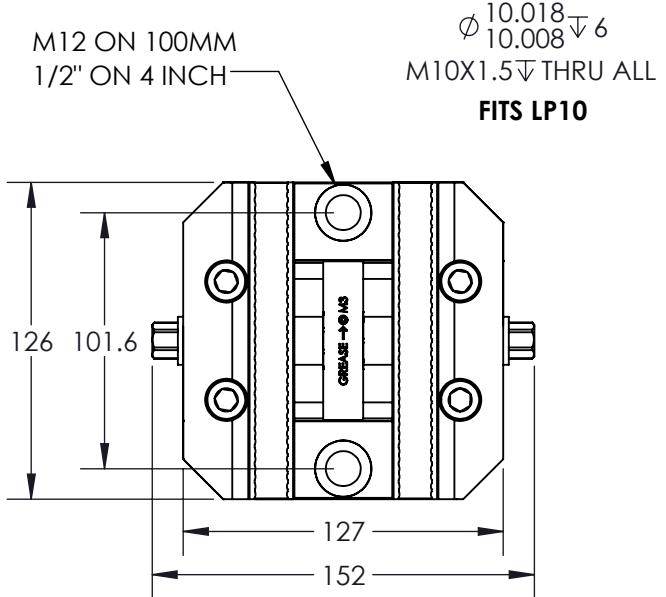
TECHNICAL DATA	V552M
JAW LENGTH	125.73 MM
MAXIMUM CLAMPING FORCE	AT MAX TORQUE OF 75NM, 18KN
CLAMPING RANGE STANDARD	0 - 55 MM
CLAMPING RANGE REVERSED	77 - 128 MM
SELF-CENTERING ACCURACY	±.013MM

# V552M



D  
C  
B  
A

D  
C  
B  
A



### JAW MOUNTING

<b>MILLIMETER</b> <small>DRAWN IN ACCORDANCE WITH ASME Y14.5-2009</small> <b>PROPRIETARY AND CONFIDENTIAL</b> <small>THE INFORMATION CONTAINED IN THIS DRAWING IS THE SOLE PROPERTY OF FIFTH AXIS, INC. ANY REPRODUCTION IN PART OR AS A WHOLE WITHOUT THE WRITTEN PERMISSION OF FIFTH AXIS, INC. IS PROHIBITED.</small>	<b>TOLERANCES</b> <small>UNLESS OTHERWISE SPECIFIED</small> X ± 0.1    .XX ± 0.01 X ± 0.05    .XXX ± 0.005 ANGULAR ± 0.5° THIRD ANGLE PROJECTION		WWW.5THAXIS.COM 7140 ENGINEER ROAD SAN DIEGO, CA 92111 P (858) 505-0432 F (858) 505-9344
	DESCRIPTION <b>Metric Vise, 125mm x 125mm, Self-Centering</b>		SIZE <b>A</b> PART NO. <b>V552M</b>
<small>DO NOT SCALE DRAWING    SCALE 1:1    WEIGHT: 6.8 KGS</small>		<small>SHEET 1 OF 1</small>	